

Tri-MEC  
**LS Medium Voltage  
Vacuum Contactors**



Electric Equipment



## Customer satisfaction through quality and service- LS medium voltage vacuum contactors

**LS medium voltage vacuum contactors using LS vacuum interrupters manufactured with worldclass technology are type tested in LS PT & T that is accredited high power test lab by worldclass KOLAS.**



# Contents



|                            |    |                                    |    |
|----------------------------|----|------------------------------------|----|
| Features .....             | 4  | Electrical circuit diagram .....   | 20 |
| Technical data .....       | 10 | Internal connection diagrams ..... | 22 |
| Ordering information ..... | 12 | External dimensions .....          | 24 |
| External view .....        | 14 | Selection tables .....             | 28 |
| Safety components .....    | 15 | Power fuse .....                   | 30 |
| Internal structure .....   | 16 | Power fuse selection guides .....  | 31 |
| Vacuum interrupters .....  | 17 | Coordination graph .....           | 32 |
| Accessories .....          | 18 | Operation curves .....             | 34 |
| Drawing operations .....   | 19 |                                    |    |



# LS Vacuum Contactors



We have the major technology that others can not catch up.  
LS vacuum contactors provide high withstand-current strength and switching capacity as well as versatile auxiliary functions.



Fixed type

Drawout type (Standard type)

## General description



LS Tri-MEC vacuum contactors are mainly used for the switching of motors, transformers, capacitors in AC power lines. They can be installed in multi-stack cubicles.

A vacuum contactor comprises several assemblies such as switching mechanism including vacuum interrupters, magnetic actuator, high strength molded front cover and auxiliary devices. Stable and high operating cycle is executed by the vacuum interrupters made of high alumina ceramic tube which makes it possible to degas in a high temperature with excellent mechanical strength.

Actuating is available either at instantaneous or continuous excitation. Functions for safety in connecting and disconnecting are also provided.



E-Class Cradle



F<sub>2</sub>-Class Cradle



G-Class Cradle



Direct-drawout type - for MCSG



Fuse connectable type (Standard type)



Fuse connectable type (Direct-drawout type)

### Operation conditions

**Ambient temperature :** -5 to 40°C

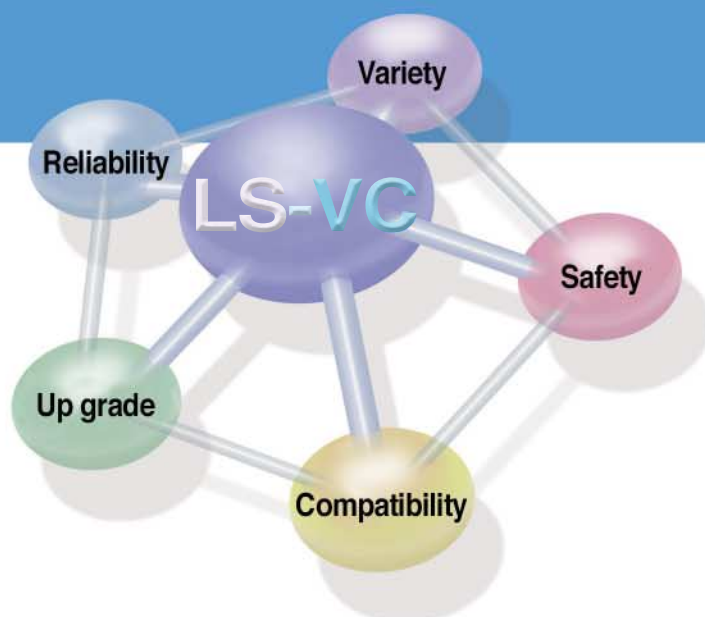
**Maximum temperature of 24-hour mean :** 35 °C

**Altitude :** 1000m

**Humidity :** 24-hour measured average - max. 95% RH  
1 month measured average - max. 90% RH

### Applied standards

IEC Pub. 60470, IEC 60282-1, JEM 1167, KEMC 1126



# Up-graded performance

Rated short-time current 6.3kA

[ 6.3kA ]

Performance is up-graded to rated short-time current 6.3kA/1sec. and switching capacity 4kA according to IEC60470.



Short-circuit protection

[ 40kA ]

Power fused type vacuum contactors, in-house tested according to IEC 60282-1, can provide short-circuit protection up to 40kA.

### High performance, high reliability and long service life

LS vacuum interrupters that comply with IEC, ANSI and NEMA standards are manufactured by the process of brazing and degassing together in a high vacuum furnace to assure high reliability.

### Superior mechanical strength and degasing

Providing long service life and suited for frequently operating purpose due to using high alumina ceramic tube and degasing in a high temperature.

### High speed interruption and short arcing time

It has fast recovering characteristic of vacuum insulation. When opening it breaks the current at the first current-zero point to minimize the wearing of contacts.

### Reliable interruption of fault current

LS current limiting power fuse can protect the devices and systems from fault current by interrupting within half cycle.

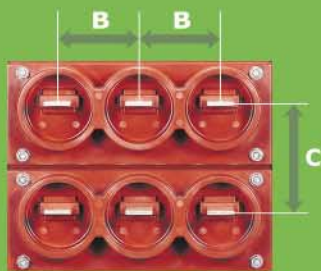
High current such as short-circuit current cause a fuse blown out due to the reaction on the material inside of a fuse within such a short time.

### Applied standards

IEC 282-1, DIN 43625, BS 2692, KSC 4612

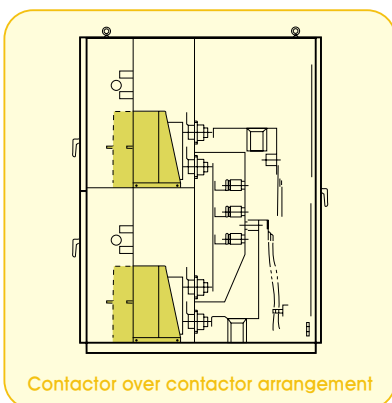
# [ Safety ]

LS Tri-MEC vacuum contactors provide several auxiliary functions for safe and comfortable use.



- Interlock button
- Drawout cradle for MCSG
- One-molded fuse holder
- Fuse checker and micro switch
- Unification bushing
- Mechanical interlock type

## Additional equipment



### Suitable for Metal Clad Switchgear

The structure of G type cradle unification bushings and single-molded fuse-holder barrier enables vacuum contactors to build Metal Clad Switchgears.

### Directly withdrawable equipment

This enables the withdrawing of a vacuum contactor from a panel without opening a door to prevent any possibility of electric shock.

### Interlock

For the safety of a operator interlock is equipped as standard.

### Auxiliary contacts

Available up to 5NO+5NC.

# Technical data



| Type                          | Fixed (Z) type                  |   |                 |                 | Drawout (D) type |                 |                 |                 | Direct-drawout (DB) type - for MCSG |                  |                  |                  |       |
|-------------------------------|---------------------------------|---|-----------------|-----------------|------------------|-----------------|-----------------|-----------------|-------------------------------------|------------------|------------------|------------------|-------|
|                               | LVC-3Z<br>-42□D                 | LVC-6Z<br>-42□D   | LVC-3Z<br>-44□D | LVC-6Z<br>-44□D | LVC-3D<br>-42□D  | LVC-6D<br>-42□D | LVC-3D<br>-44□D | LVC-6D<br>-44□D | LVC-3DB<br>-42□D                    | LVC-6DB<br>-42□D | LVC-3DB<br>-44□D | LVC-6DB<br>-44□D |       |
| Rated operation voltage       | [kV]                            | 3.3   | 6.6             | 3.3             | 6.6              | 3.3             | 6.6             | 3.3             | 6.6                                 | 3.3              | 6.6              | 3.3              | 6.6   |
| Rated voltage                 | Ur[kV]                          | 3.6   | 7.2             | 3.6             | 7.2              | 3.6             | 7.2             | 3.6             | 7.2                                 | 3.6              | 7.2              | 3.6              | 7.2   |
| Rated operational current     | Ie[A]                           | 200   |                 | 400             |                  | 200             |                 | 400             |                                     | 200              |                  | 400              |       |
| Rated frequency               | f[Hz]                           | 50/60   |                 |                 |                  |                 |                 |                 |                                     |                  |                  |                  |       |
| Rated breaking current        | (kA, O-3min-CO-2min-CO)         | 4   |                 |                 |                  |                 |                 |                 |                                     |                  |                  |                  |       |
| Rated short-time current      | (kA-sec)                        | 2.4kA-30s, 4kA-10s, 6kA-2s, 6.3kA-1s, 8kA-0.5s, 10kA-0.1s |                 |                 |                  |                 |                 |                 |                                     |                  |                  |                  |       |
| Rated short-time peak current | (kApeak- 0.5Cycle)              | 60  |                 |                 |                  |                 |                 |                 |                                     |                  |                  |                  |       |
| Switching frequency(AC3)      | [op./hr]                        | E : Continuous 1200, L : Instantaneous 300                |                 |                 |                  |                 |                 |                 |                                     |                  |                  |                  |       |
| Lifetime                      | Mechanical [x 10,000operations] | E : Continuous 300, L : Instantaneous 50                  |                 |                 |                  |                 |                 |                 |                                     |                  |                  |                  |       |
|                               | Electrical [x 10,000operations] | 30  |                 |                 |                  |                 |                 |                 |                                     |                  |                  |                  |       |
| Impulse withstand             | Up[kVp]                         | 60  |                 |                 |                  |                 |                 |                 |                                     |                  |                  |                  |       |
| Dielectric strength           | Ud[kV/1min]                     | 20  |                 |                 |                  |                 |                 |                 |                                     |                  |                  |                  |       |
| Excitation method             |                                 | E : Continuous, L : Instantaneous                         |                 |                 |                  |                 |                 |                 |                                     |                  |                  |                  |       |
| Control voltage               | [V]                             | AC 110V, AC 220V, DC 110V                                 |                 |                 |                  |                 |                 |                 |                                     |                  |                  |                  |       |
| Auxiliary contact             | Arrangement                     | Continuous 3a3b, Instantaneous 2a2b                       |                 |                 |                  | 2a2b            |                 |                 |                                     | 2a2b             |                  |                  |       |
|                               | Current [A]                     | 10 (AC)   |                 |                 |                  |                 |                 |                 |                                     |                  |                  |                  |       |
|                               | Voltage [V]                     | 600max ~ 48min  |                 |                 |                  |                 |                 |                 |                                     |                  |                  |                  |       |
| Max. Applicable               | Motors [kW]                     | 750   | 1,500           | 1,500           | 3,000            | 750             | 1,500           | 1,500           | 3,000                               | 750              | 1,500            | 1,500            | 3,000 |
|                               | Transformers [kVA]              | 1,000   | 2,000           | 2,000           | 4,000            | 1,000           | 2,000           | 2,000           | 4,000                               | 1,000            | 2,000            | 2,000            | 4,000 |
|                               | Capacitors [kVA]                | 750   | 1,500           | 1,200           | 2,000            | 750             | 1,500           | 1,200           | 2,000                               | 750              | 1,500            | 1,200            | 2,000 |
| Weight                        | [kg]                            | 24  |                 |                 |                  | 41              |                 |                 |                                     | 56               |                  |                  |       |

Note) 고정형 상시조작형은 6a6b 가능

## Power fuse

Power fuses can be installed into combination(G, GB) type contactors for the protection of equipments and systems from short-circuit.

Fuse ratings are selected properly after system analysis and some accessories such as fuse link clips should be selected by the fuse rating.







| Type  | Combination drawout (G) type                              |  |                 |                 | Combination direct-drawout (GB) type - for MCSG |                  |                  |                  |
|---|---|--|-----------------|-----------------|---|------------------|------------------|------------------|
|   | LVC-3G<br>-42□D   | LVC-6G<br>-42□D                          | LVC-3G<br>-44□D | LVC-6G<br>-44□D | LVC-3GB<br>-42□D                                | LVC-6GB<br>-42□D | LVC-3GB<br>-44□D | LVC-6GB<br>-44□D |
| Rated operation voltage [kV]                    | 3.3   | 6.6                                      | 3.3             | 6.6             | 3.3   | 6.6              | 3.3              | 6.6              |
| Rated voltage Ur[kV]                            | 3.6   | 7.2                                      | 3.6             | 7.2             | 3.6   | 7.2              | 3.6              | 7.2              |
| Rated operational current Ie[A]                 | 200   |  | 400             |                 | 200   |                  | 400              |                  |
| Rated frequency fr[Hz]                          | 50/60   |  |                 |                 |   |                  |                  |                  |
| Rated breaking current (kA, O-3min-CO-2min-CO)  | 4 kA (40kA with fuse)                                     |  |                 |                 |   |                  |                  |                  |
| PF Combination<br>Rated breaking<br>current     | Making  |  | 40kA            |                 |   |                  |                  |                  |
|   | Breaking  |  | 40kA            |                 |   |                  |                  |                  |
|   | take over(O-3min-O-3min-O)                                |  | 4kA             |                 |   |                  |                  |                  |
| Rated short-time current (kA-sec)               | 2.4kA-30s, 4kA-10s, 6kA-2s, 6.3kA-1s, 8kA-0.5s, 10kA-0.1s |  |                 |                 |   |                  |                  |                  |
| Rated short-time peak current (kApeak-0.5Cycle) | 60  |  |                 |                 |   |                  |                  |                  |
| Switching frequency(AC3) [op./hr]               | E : Continuous 1200, L : Instantaneous 300                |  |                 |                 |   |                  |                  |                  |
| Lifetime  | Mechanical [x 10,000operations]                           | E : Continuous 300, L : Instantaneous 50 |                 |                 |   |                  |                  |                  |
|   | Electrical [x 10,000operations]                           | 30                                       |                 |                 |   |                  |                  |                  |
| Impulse withstand Up[kVp]                       | 60  |  |                 |                 |   |                  |                  |                  |
| Dielectric strength Ud[kV/1min]                 | 20  |  |                 |                 |   |                  |                  |                  |
| Excitation method                               | E : Continuous, L : Instantaneous                         |  |                 |                 |   |                  |                  |                  |
| Control voltage [V]                             | AC 110V, AC 220V, DC 110V                                 |  |                 |                 |   |                  |                  |                  |
| Auxiliary contact                               | Arrangement   | 2a2b                                     |                 |                 |   |                  |                  |                  |
|   | Current [A]   | 10 [AC]                                  |                 |                 |   |                  |                  |                  |
|   | Voltage [V]   | 600max ~ 48min                           |                 |                 |   |                  |                  |                  |
| Weight [kg]                                     | 46  |  |                 |                 | 62  |                  |                  |                  |

Note) 적용부하용량은 파워퓨즈의 정격에 따라 상이합니다.

## Power fuse ratings combination type

| Standard | Type        | Rated voltage(kV)            | Rated current(A)                   | Diameter (mm)   | - (mm) | Application   |                                      |
|----------|-------------|------------------------------|------------------------------------|---|--------|---|--------------------------------------|
| DIN type | LFL-3/6G-□B | 3.6/7.2                      | 5, 10, 20, 30, 40, 50, 63, 75, 100 | 45  | 192    | All application including transformers, motors and capacitors |                                      |
|          | LFL-3/6G-□B | 3.6/7.2                      | 125 <sup>Note1)</sup>              |   | 292    |   |                                      |
|          | LFL-3G-□B   | 3.6                          | 160, 200                           |   | 292    |   |                                      |
|          | LFL-6G-□B   | 7.2                          | 160, 200                           |   | 292    |   |                                      |
| KS type  | General use | LFL-3/6G-□                   | 3.6/7.2                            | 5(T1.5), 10(T3), 20(T7.5), 30(T15), 40(T20), 50(T30), 60(T30) | 50     | 261   | General use transformers capacitors. |
|          |             |                              | 75(T50), 100(T75)                  | 60  | 311    |   |                                      |
|          |             | LFL-3G-□                     | 3.6                                | 150(T100), 200(T150)  | 60     | 311   |                                      |
|          |             |                              | 300(T250), 400(T300)               | 77  | 311    |   |                                      |
|          | For motors  | LFL-3M-□                     | 3.6                                | M20, M50, M100  | 60     | 200   | Motors capacitors.                   |
|          |             |                              |                                    | M150, M200  | 77     | 200   |                                      |
|          |             | LFL-6M-□                     | 7.2                                | M300(M400) <sup>Note2)</sup>                                  | 87     | 250   |                                      |
|          |             |                              |                                    | M20, M50  | 60     | 311   |                                      |
| LFL-6M-□ | 7.2         | M100, M150, M200             | 77                                 | 350   |        |   |                                      |
|          |             | M300(M400) <sup>Note2)</sup> | 87                                 | 450   |        |   |                                      |

Note1) 퓨즈 정격전류가 100A를 초과시 퓨즈체커를 이용한 VC 연동을 금지합니다.

Note2) M400적용시 자사와 협의 바랍니다.

\* LFL-6G-300, 400은 VC에 포함이 불가합니다.

# Ordering information

## Contactor

**LVC·3Z·42E D1 0 0 0 0 01**

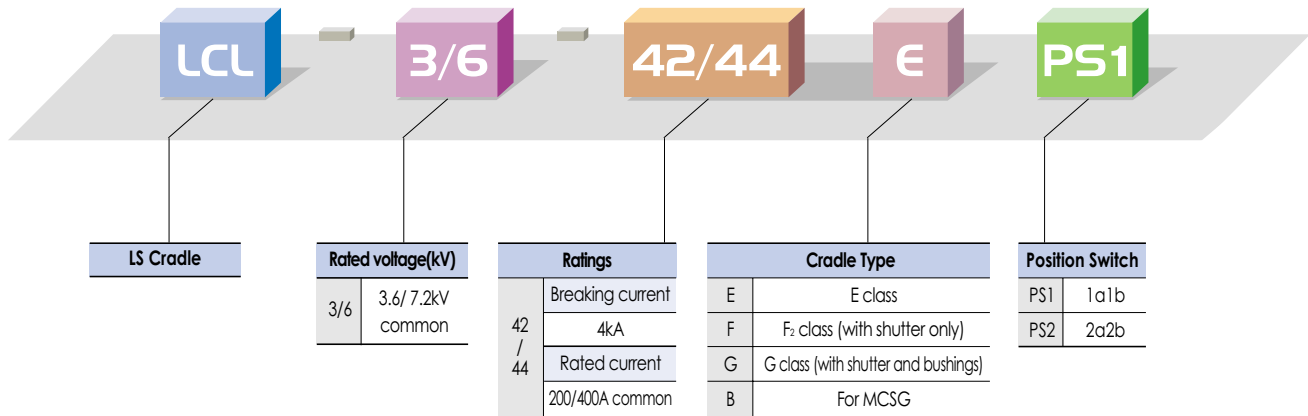
| Control voltage(kV) |        | Fuse checker |         | PT |               | Position Switch |         | FUSE type |                              |
|---------------------|--------|--------------|---------|----|---------------|-----------------|---------|-----------|------------------------------|
| D1                  | DC 110 | 0            | Without | 0  | Without PT    | 0               | Without | 01        | LFL-3/6G-5~60 L261-ø 50      |
| A1                  | AC 110 | 1            | With    | 1  | 1EA of 100Var | 1               | With    | 02        | LFL-3M-20~100 L200-ø 60      |
| A2                  | AC 220 |              |         | 2  | 2EA of 100Var |                 |         | 03        | LFL-3/6G-75~100 L311-ø 60    |
|                     |        |              |         | 3  | 1EA of 200Var |                 |         |           | LFL-3G-150~200               |
|                     |        |              |         | 4  | 2EA of 200Var |                 |         |           | LFL-6M-20~50                 |
|                     |        |              |         |    |               |                 |         | 04        | LFL-3M-150~200 L200-ø 77     |
|                     |        |              |         |    |               |                 |         | 05        | LFL-3G-300~400 L311-ø 77     |
|                     |        |              |         |    |               |                 |         |           | LFL-6G-150~200               |
|                     |        |              |         |    |               |                 |         | 06        | LFL-6M-100~200 L350-ø 77     |
|                     |        |              |         |    |               |                 |         | 07        | LFL-3M-300 L250-ø 87         |
|                     |        |              |         |    |               |                 |         | 08        | LFL-6M-300 L450-ø 87         |
|                     |        |              |         |    |               |                 |         | 09        | LFL-3/6G-5B~100B L258-ø 45   |
|                     |        |              |         |    |               |                 |         | 10        | LFL-3/6G-125B~200B L358-ø 45 |

**Contactor type**

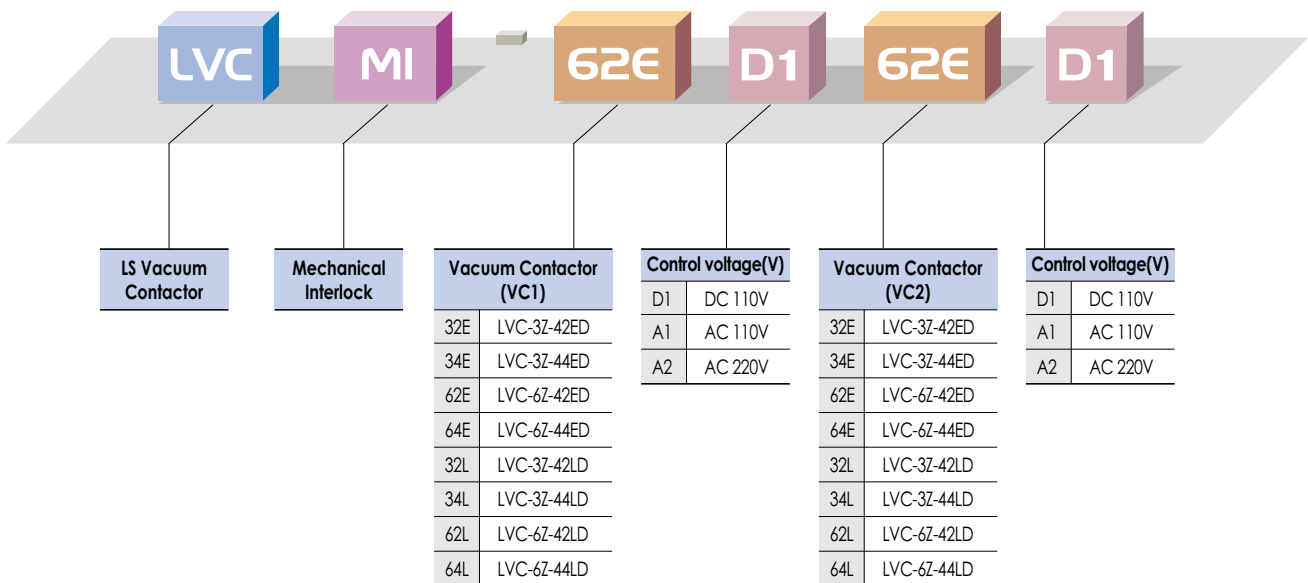
**LVC 3 Z 4 2 E D**

| LS Vacuum Contactor | Rated voltage(kV) |     | Installation |   | Breaking current(kA) |   | Rated current(A) |     | Control method |                          | Modification No.      |                   |
|---------------------|-------------------|-----|--------------|---|----------------------|---|------------------|-----|----------------|--------------------------|-----------------------|-------------------|
|                     |                   | 3   | 3.6          | Z   | Fixed type           | 4 | 4                | 2   | 200            | E                        | Continuous excitation | D                 |
|                     | 6                 | 7.2 | D            | Drawout type  |                      |   | 4                | 400 | L              | Instantaneous excitation | C                     | Conventional type |
|                     |                   |     | G            | Combination drawout type (Fuse connectable)                     |                      |   |                  |     |                |                          |                       |                   |
|                     |                   |     | DB           | Direct-drawout type (For MCSG)                                  |                      |   |                  |     |                |                          |                       |                   |
|                     |                   |     | GB           | Combination direct-drawout type (Fuse connectable and for MCSG) |                      |   |                  |     |                |                          |                       |                   |

## Cradle



## Mechanical interlock type



# External view



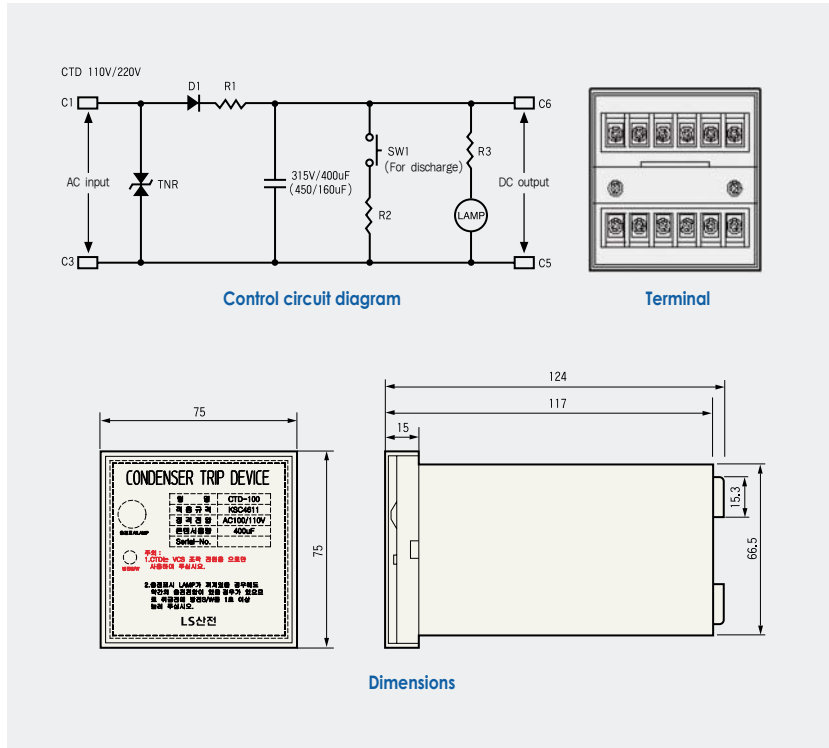
- 1 Front cover
- 2 Fuse checking window
- 3 Connector
- 4 Unlock button(Interlock lever)
- 5 Handle(Draw-in and Drawout)
- 6 ON/OFF indicator
- 7 Operation counter
- 8 Manual trip button
- 9 Drawout carrier
- 10 Direct drawout carrier
- 11 Interlock lever
- 12 Interlock button
- 13 Hole for Interlock lever insertion
- 14 Test/Run indicator
- 15 Cradle
- 16 CTD(Condensor trip device)
- 17 Fuse case

## CTD(Condensor Trip Device)



CTD is built as standard in the contactor with AC control of instantaneous excitation so that the contactor can be tripped within 30 seconds in the event of an electricity failure. The automatic trip circuit in the event of an electricity failure is to be built by a customer.

| Rating                     | Description   |               |
|----------------------------|---------------|---------------|
|                            | Type          | CTD-100       |
| Rated input voltage(V)     | AC 100/110    | AC 200/220    |
| Frequency(Hz)              | 50/60         | 50/60         |
| Rated impulse voltage(V)   | 140/155       | 280/310       |
| Charging time              | Within 5 sec. | Within 5 sec. |
| Trip command possible time | Max. 30 sec.  | Max. 30 sec.  |
| Input voltage range        | 85%~110%      | 85%~110%      |
| Capacitor rating(μF)       | 400           | 160           |



### Fuse case

Made of high strength BMC resin to offer superior insulation and safety.

Note) Applied fuse combination type.



### Counter

This is a ON/OFF operation counter by using 5 digit.



### Bushing

It is mono-block bushing to be used in the cradles of G-type drawout contactors. It provides high insulation level, so recommended to use in contactors for MCSG.

Note) Applied G-Class Cradle.



### Test/Run position indicator

This enables checking contactor positions visibly when connecting or disconnecting a contactor.

Note) Applied direct drawout type only.



### Direct-drawout carrier

It is a screw-sliding type drawout equipment to draw-in and draw-out a contactor directly out of a panel for personal safety. It is built in DB and GB type contactors.



### ON/OFF indicator

To visibly check whether power is supplied or not



### Lever

It is a bent-lever to actuate a direct-drawout carrier by inserting and turning in DB and GB type contactors



### Fuse checking window

Enables the visible check of a fuse like its outside status and temperature-rise in a fuse combination type contactor.

# Internal structure

## Main contact part

Consists of vacuum interrupters, main terminals and moving shunts that are supported by a one-moulded frame that maintains insulation between phases. Vacuum interrupters are operated by means of the actuating mechanism that is connected to movable parts of a vacuum interrupter with a insulation rod.

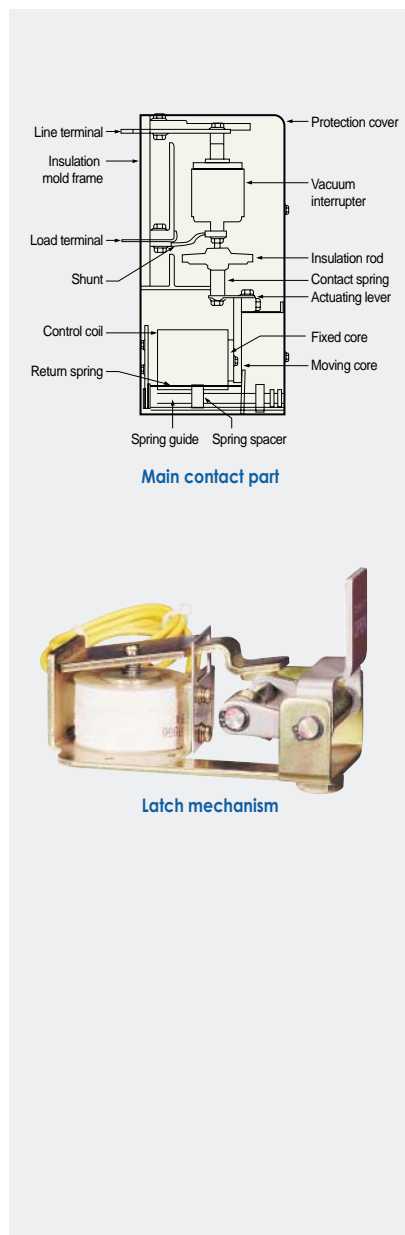
## Actuating mechanism

Designed simply without any linkage to be suited for frequent-operation and long service life. The actuating lever connected to a moving core of a actuating magnet that carries out the function of a actuating shaft moves up and down to control the contact pressure for stable operations.

## Control method

**Continuous excitation** - During a contactor is closed the control coil is required to be excited continuously to pull the moving core magnetically. In case of discontinuing the control power the moving core is to be returned by a spring because of the disappearance of magnetic force, which causes the opening of a contactor.

**Instantaneous excitation** - In this method the continuous exciting of a control coil to maintain the closing of a contactor is not required as the latch built in it holds the mechanism. In case of manual tripping, a contactor will be tripped by releasing the latch when turn on the manual trip button.



Continuous excitation



Instantaneous excitation

| Type             | Control method   | Control voltage (V) | Closing current(A)/time(ms) | Trip current(A)/time(ms) | Holding current(A)/time(ms) | Pick-up voltage | Drop-out voltage | Tripping voltage |
|------------------|--|---------------------|-----------------------------|--------------------------|-----------------------------|-----------------|------------------|------------------|
| LVC-3/6□-42/44ED | Continuous excitation(E)   | DC 110              | 3/100                       | -                        | 0.6/40                      | 85%             | 75%              | -                |
|                  |  | AC 110              | 3/100                       | -                        | 0.6/40                      |                 |                  |                  |
|                  |  | AC 220              | 2/100                       | -                        | 0.3/40                      |                 |                  |                  |
| LVC-3/6□-42/44LD | Instantaneous excitation(L)<br>Instantaneous excitation(L)<br>(With CTD) | DC 110              | 4.5/145                     | 3/35                     | -                           | 85%             | 75%              | 10%-75%          |
|                  |  | AC 110              | 4.5(6)/145                  | 3(4)/35                  | -                           |                 |                  |                  |
|                  |  | AC 220              | 3(4)/145                    | 10(14)/35                | -                           |                 |                  |                  |

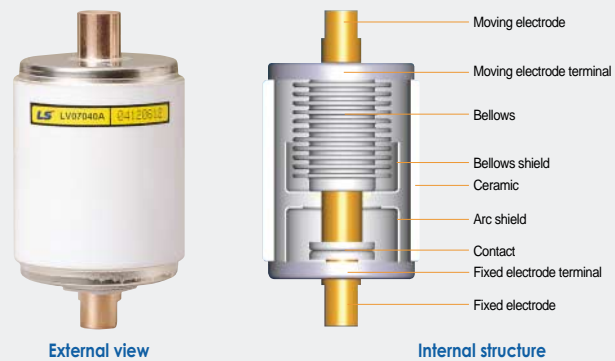
Note) The values in ( ) are maximum allowable currents in case of using CTD. (voltage increment considered)

## Features

### Vacuum interrupters

In the closed position, normal current flows through the interrupter. When a fault occur and interruption is required, the contacts are quickly separated. The arc which is oriented between surfaces of contact shall diffuse at the contact structure of flat shape. It prevents local heating and damage. The arc burns in an ionized metal vapor, which condenses on the surrounding metal shield.

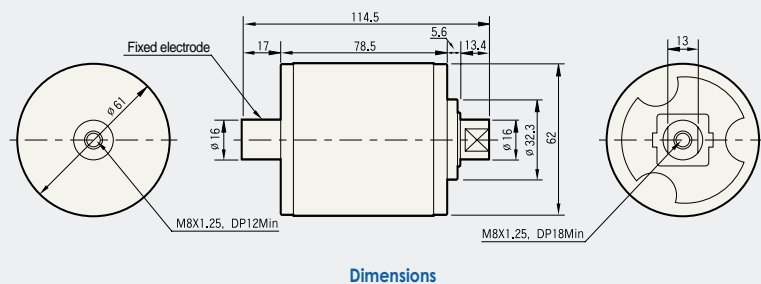
The arc is extinguished and vapor production is ceased at current zero. The metal vapor plasma is very rapidly dispersed, cooled, recombined, and deionized, and the metal vapor products are quickly condensed so that the contacts withstand the transient recovery voltage.



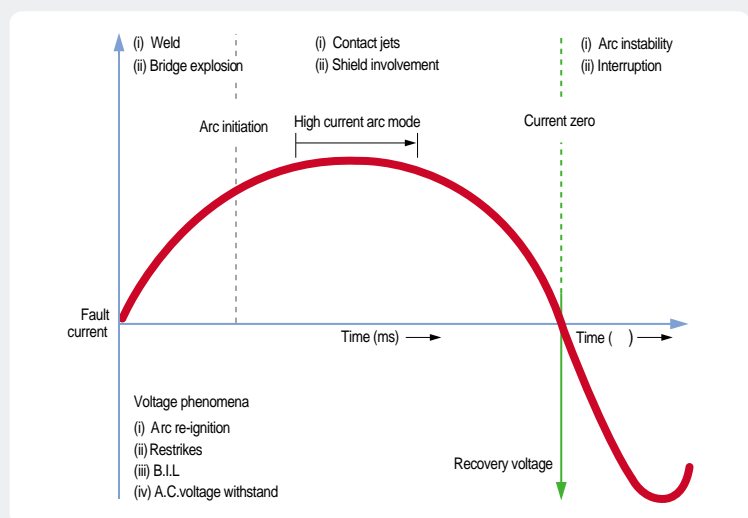
LS vacuum interrupters consists of spiral contact, the material of which is CuCr to provide a long service life and high withstand voltage characteristic.

## Ratings

|                            |       |       |
|----------------------------|-------|-------|
| Rated voltage              | (kV)  | 7.2   |
| Rated current              | (A)   | 400   |
| Rated interrupting current | (kA)  | 4.5   |
| Contact stroke             | (mm)  | 4.75  |
| Opening speed average      | (m/s) | 0.6   |
| Closing speed average      | (m/s) | 0.3   |
| Contact force              | (kg)  | 7 Min |
| Moving side weight         | (kg)  | 0.23  |
| Interrupter weight         | (kg)  | 0.52  |
| Max. contact erosion       | (mm)  | 1     |



Dimensions



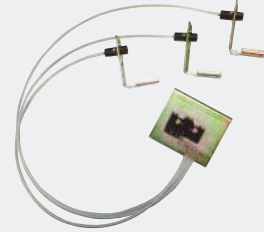
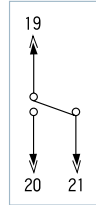
AC arcing and interruption phenomena in vacuum

# Accessories

## Fuse checker / Micro switch

Fuse checker is operated in case of fuse blowing and output mechanical signal at same time. A micro switch is a part of fuse checker. The mechanical input signal is changed to electrical out signal by micro switch.

Note) 19-20 : NO contact, 19-21 : NC contact



Fuse checker / Micro switch

## PT(Potential transformer)

2 each of PTs can be mounted on drawout type contactors and fuse combination type.

These are 100VA and 200VA PTs rated 3.6/7.2kV.

| Rated voltage(V) | Secondary voltage(V) | Class | Burden(Var) | Frequency(Hz) |
|------------------|----------------------|-------|-------------|---------------|
| 3300/6600        | 110/220              | 1     | 100/200     | 50/60         |



PT(Potential transformer)

## Fuse clip

It is used to install or uninstall a fuse link to the holder. Its dimensions depend on ratings.

Note) Refer to fuse selection table on page 11.



Fuse clip

## Auxiliary switch

Auxiliary switches are 2NO+2NC as standard and additional 3NO+3NC can be added on request.



Auxiliary switch

## Position switch

This enables checking contactor positions when draw-in and draw-out. Remote checking is also possible through signaling via micro switches in each position.



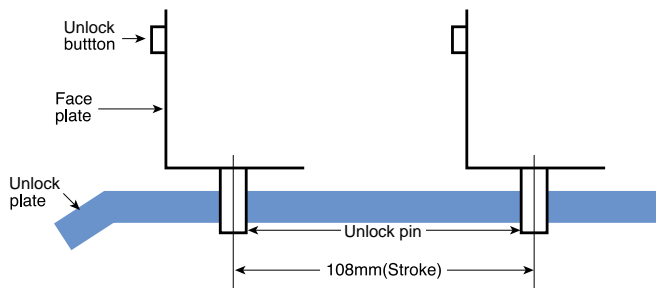
## For standard draw-out types (D, G)

### ■ When draw-in a contactor into a cradle.

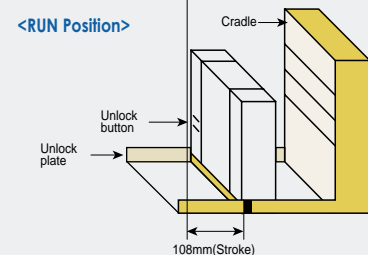
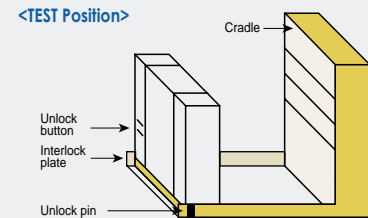
1. Check that the contactor is in the state of open (TEST Position).
2. While pushing the unlock push button, insert the contactor about 50mm into the cradle.
3. Release the unlock push button and push the contactor into the cradle by the RUN position.

### ■ When draw-out a contactor from a cradle.

1. Check that the contactor is in the state of open (RUN Position).
2. While pushing the unlock push button, draw the contactor about 50mm out of the cradle.
3. Release the unlock push button and pull the contactor from the cradle by the TEST position.



Details of TEST/RUN Position



## For direct draw-out types (DB, GB)

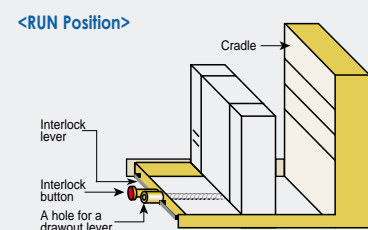
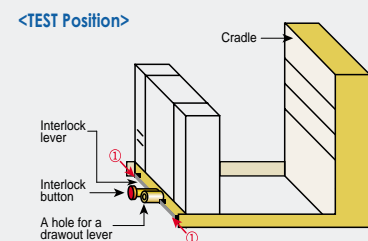
### ■ When draw-in a contactor into a cradle.

1. Check that the contactor is in the state of open (TEST Position).
2. While pushing the both sides of Interlock handle to the direction of the arrows, insert the contactor about 50mm into the cradle.
3. Insert the drawout lever into a hole as shown in the fig. While pushing the Interlock push button, swing the lever clockwise two times and release the Interlock push button.
4. Turning the lever clockwise until the contactor reaches in the RUN position.

### ■ When draw-out a contactor from a cradle.

1. Check that the contactor is in the state of open (RUN Position).
2. Insert the drawout lever into a hole as shown in the fig. While pushing the Interlock push button, swing the lever counterclockwise two times and release the Interlock push button.
4. Turning the lever counterclockwise until the contactor reaches in the TEST position.
5. In case of separating the contactor from the cradle pull the contactor while pushing the both sides of Interlock handle to the direction of the arrows as shown in the fig.

Note) Check the power before connecting or disconnecting.

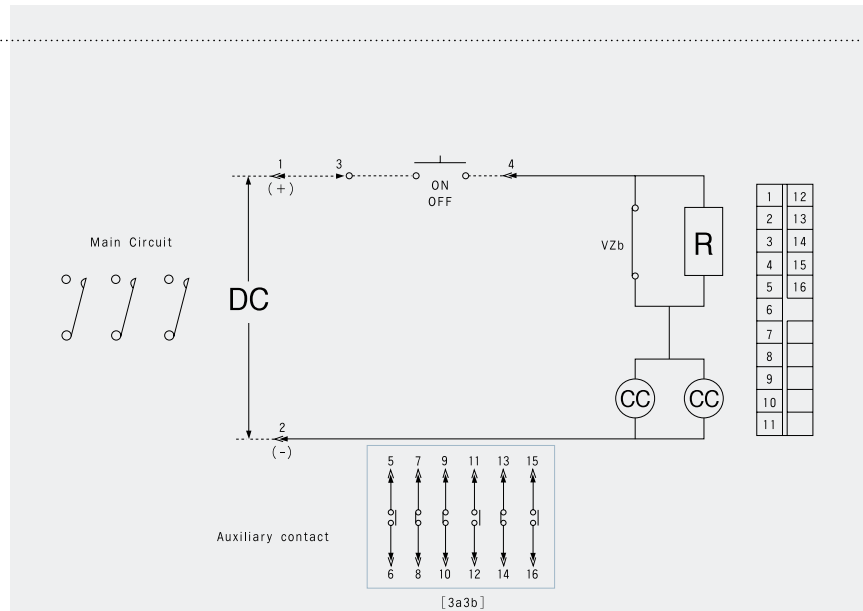


# Electrical circuit diagram

## Fixed type (Continuous excitation)

### Continuous excitation

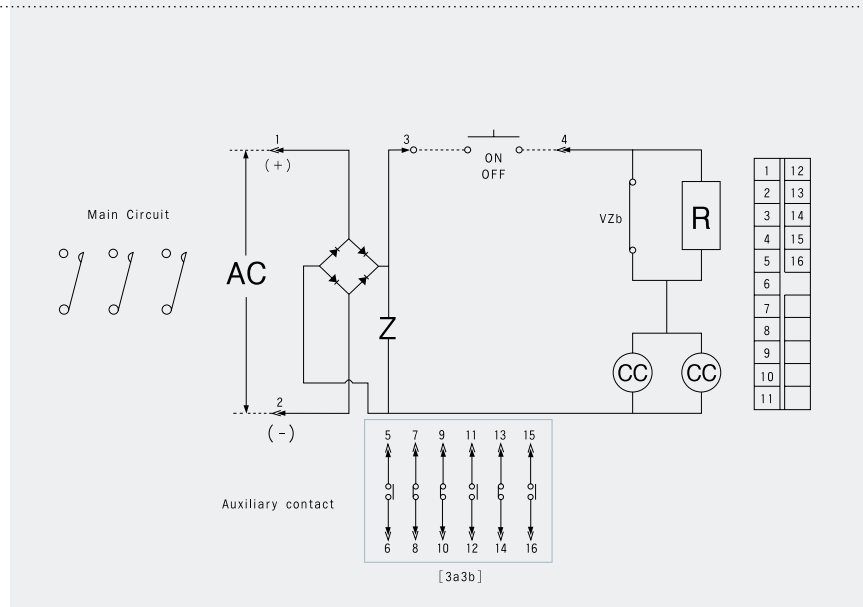
### DC control



- Impress the power to terminal No.1 and 2.
- ON/OFF operating by using contacts of terminal No.3 and 4.

Note) ----- : User's wiring part

### AC control

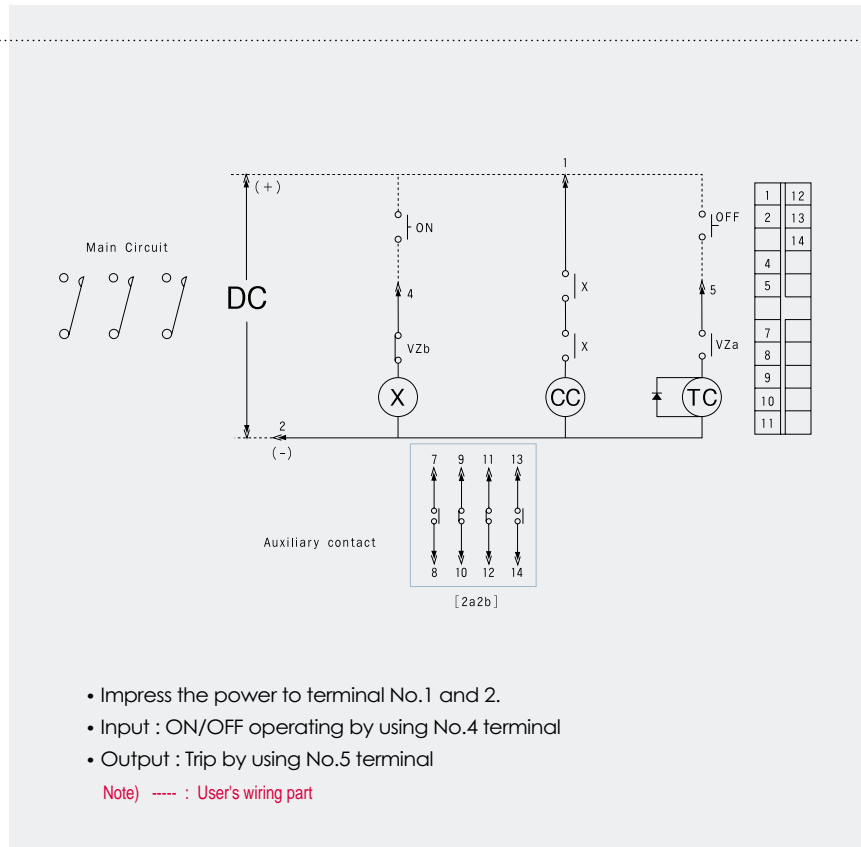


- Impress the power to terminal No.1 and 2.
- ON/OFF operating by using contacts of terminal No.3 and 4.

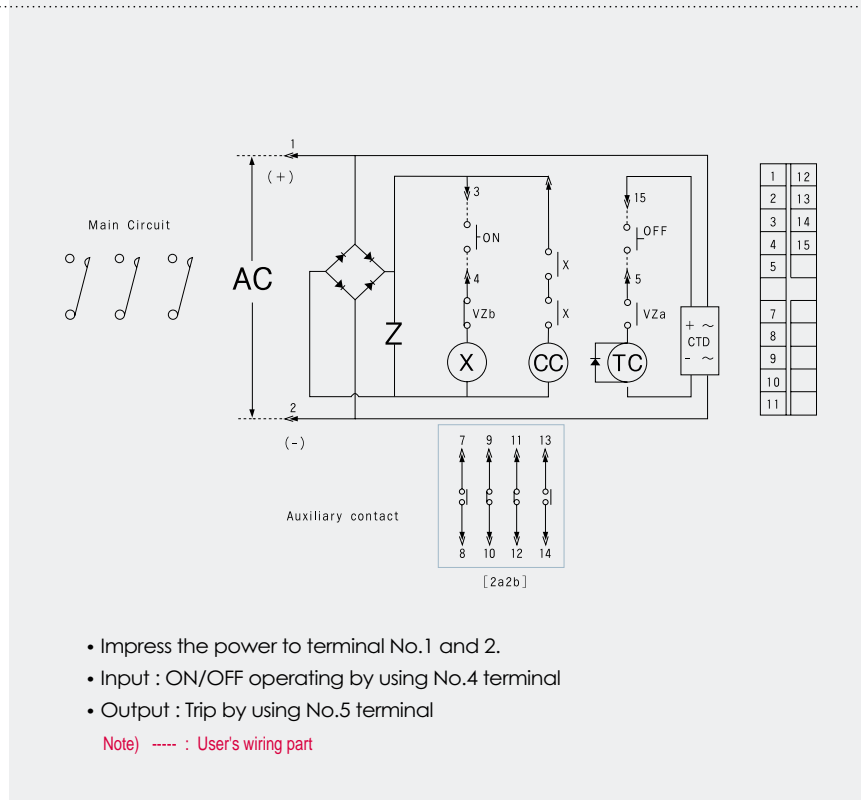
Note) ----- : User's wiring part

## Fixed type (Instantaneous excitation)

Instantaneous excitation  
DC control



## AC control(CTD equipped)

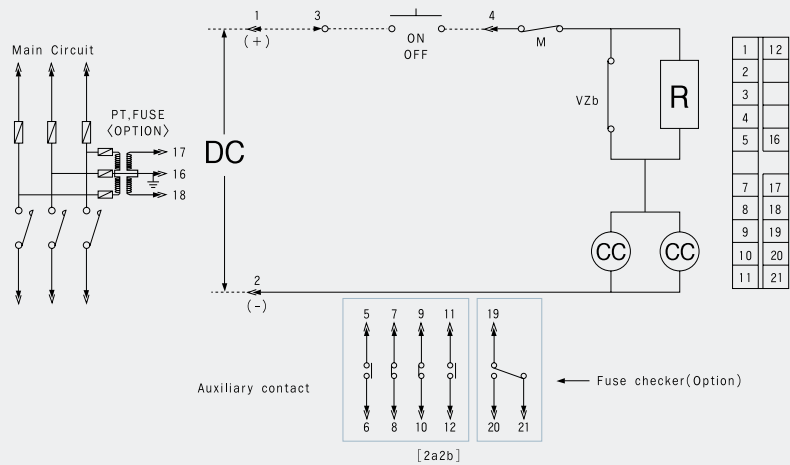


# Internal connection diagrams

## Drawout type (Continuous excitation)

### Continuous excitation

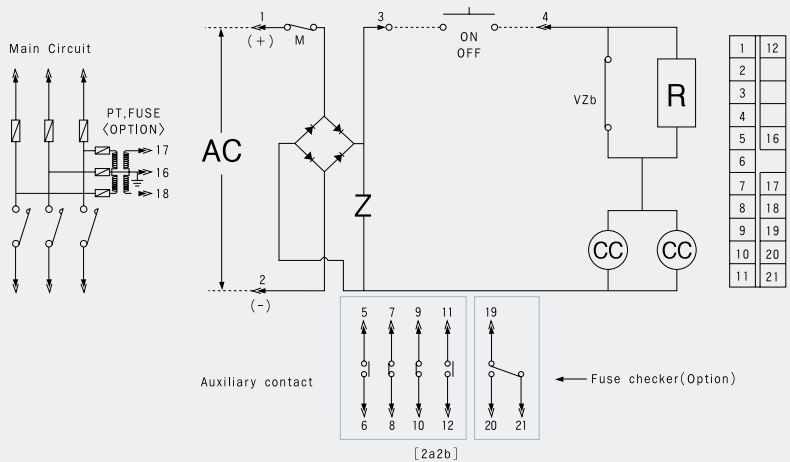
### DC control



- Impress the power to terminal No.1 and 2.
- ON/OFF operating by using contacts of terminal No.3 and 4.

Note) ----- : User's wiring part

### AC control



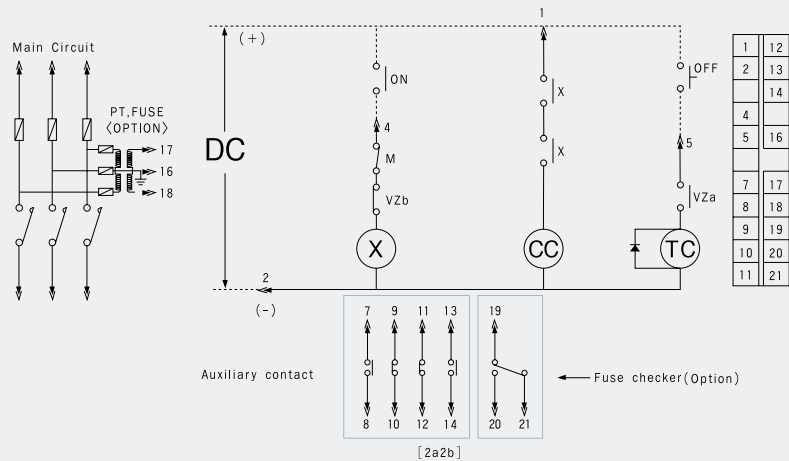
- Impress the power to terminal No.1 and 2.
- ON/OFF operating by using contacts of terminal No.3 and 4.

Note) ----- : User's wiring part

## Drawout type (Instantaneous excitation)

### Instantaneous excitation

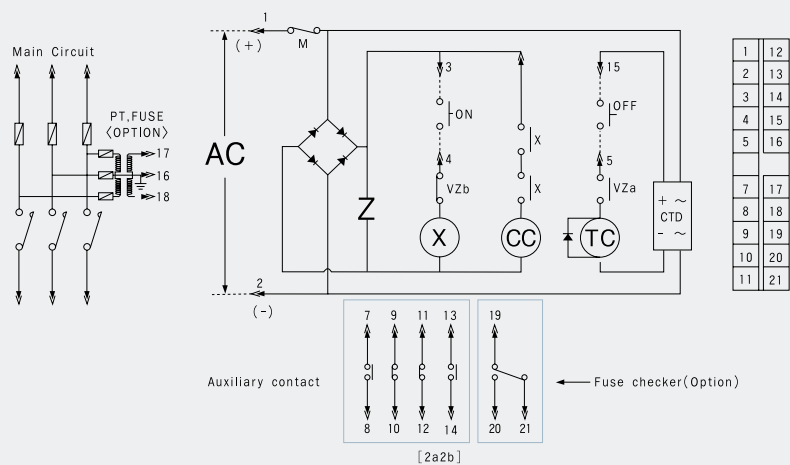
#### DC control



- Impress the power to terminal No.1 and 2.
- Input : ON/OFF operating by using No.4 terminal
- Output : Trip by using No.5 terminal

Note) ----- : User's wiring part

#### AC control(CTD equipped)



- Impress the power to terminal No.1 and 2.
- Input : ON/OFF operating by using No.4 terminal
- Output : Trip by using No.5 terminal

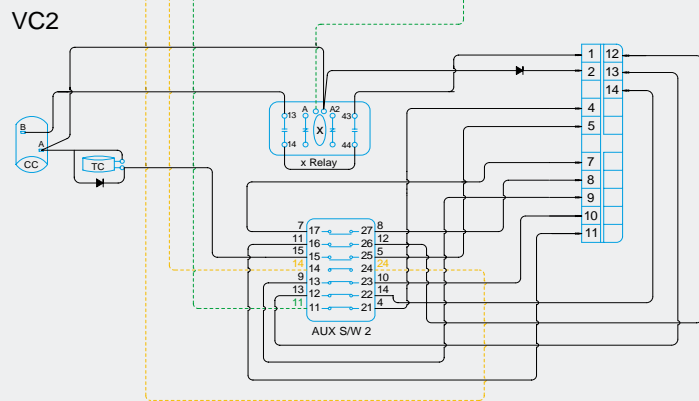
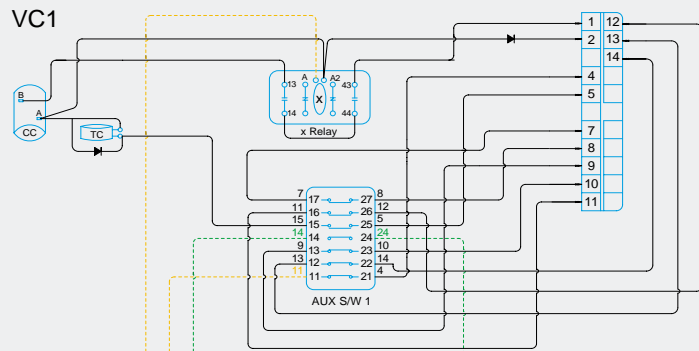
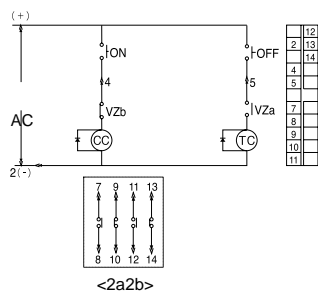
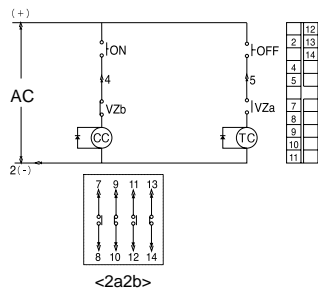
Note) ----- : User's wiring part

# Connection diagrams

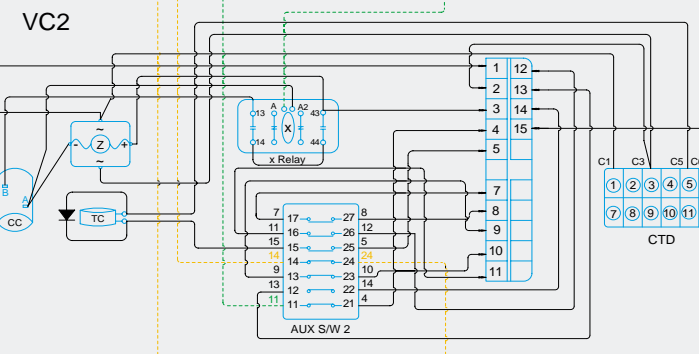
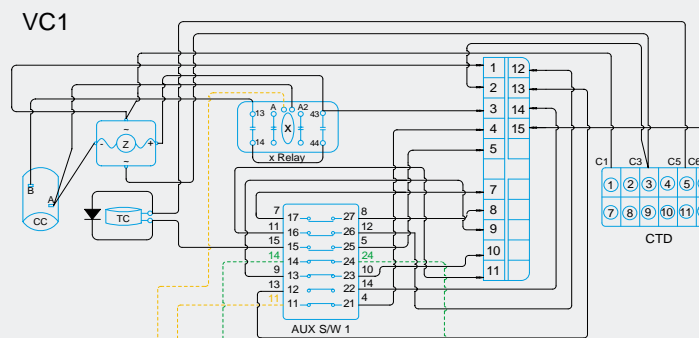
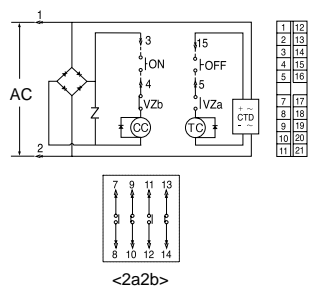
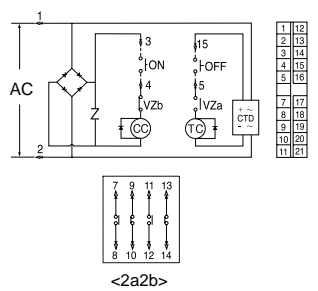
## Mechanical interlock type (Instantaneous excitation)

### Instantaneous excitation

#### DC



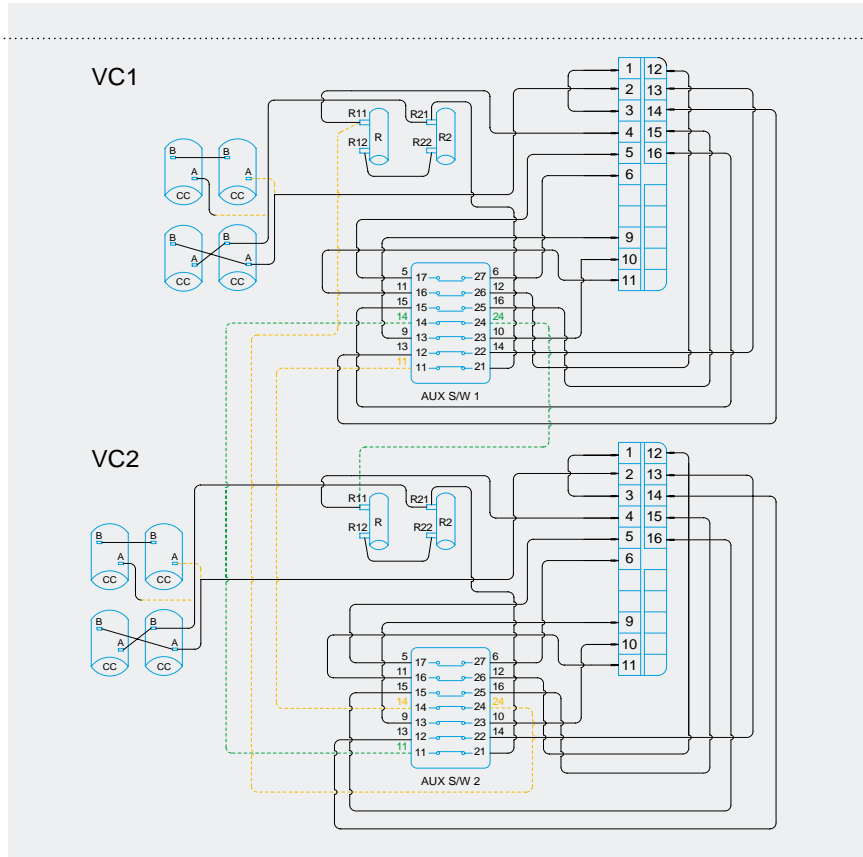
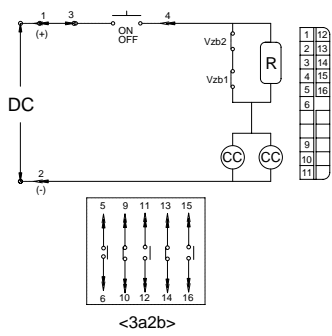
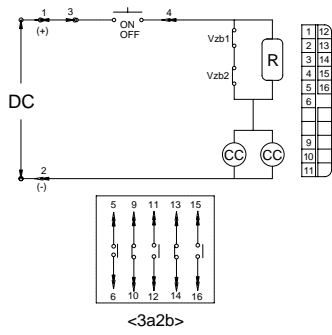
#### AC (With CTD)



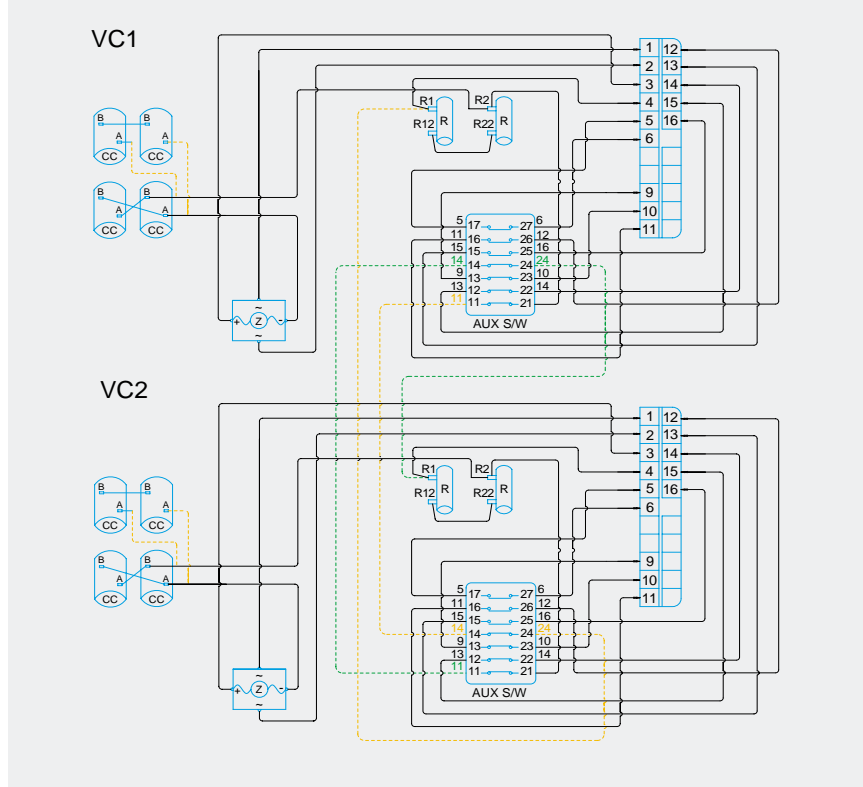
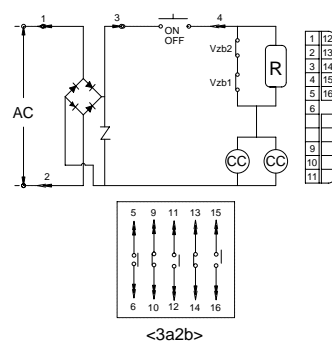
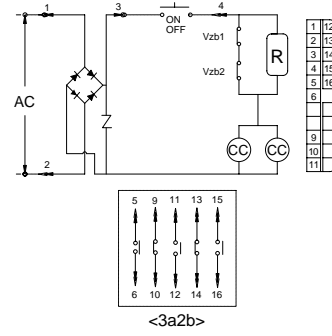
# Mechanical interlock type (Continuous excitation)

## Continuous excitation

### DC



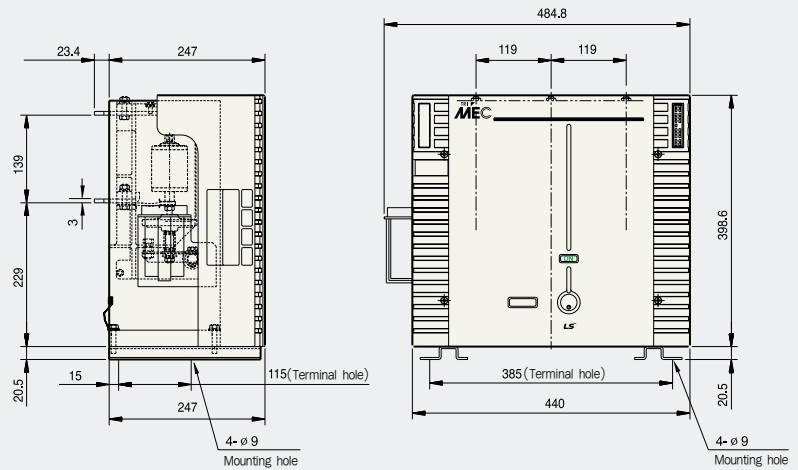
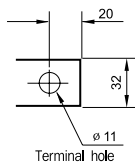
### AC



# External dimensions

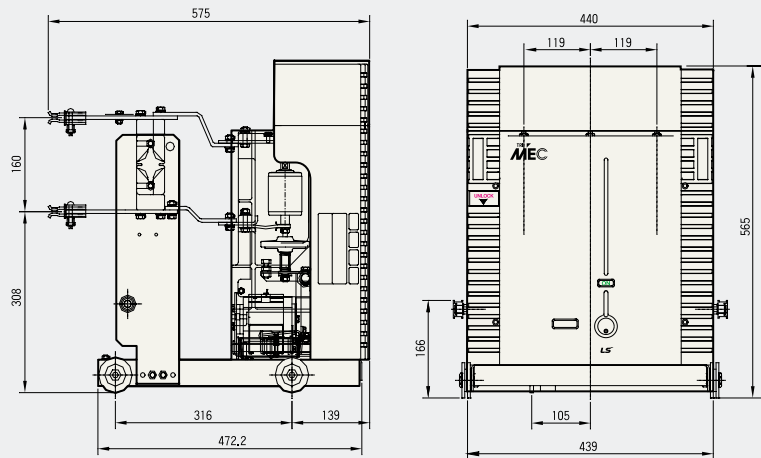
## Fixed type

LVC-3/6Z-42/44E(L)D



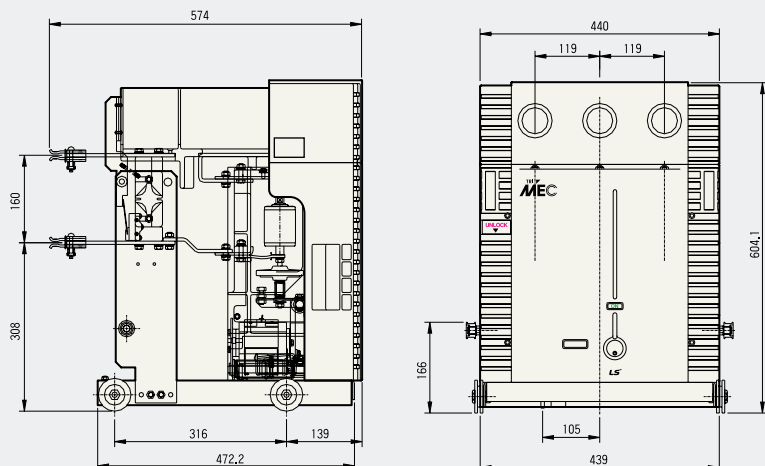
## Drawout type w/o a cradle

LVC-3/6D-42/44E(L)D



## Combination drawout type w/o a cradle (Fused combination)

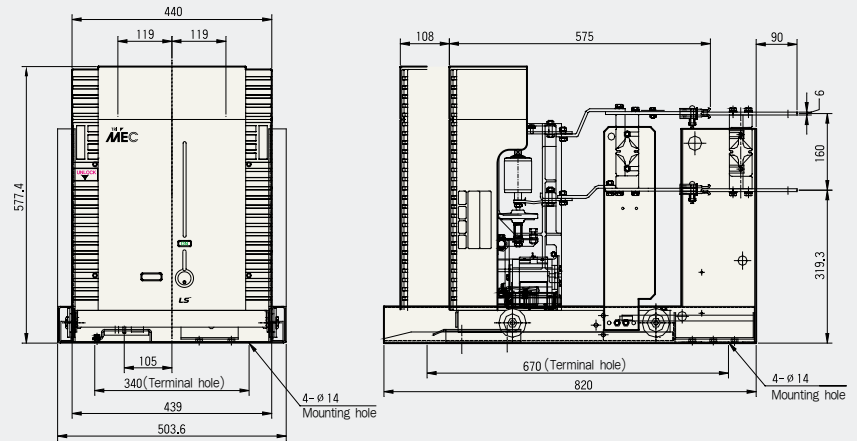
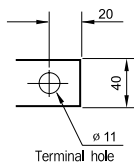
LVC-3/6G-42/44E(L)D



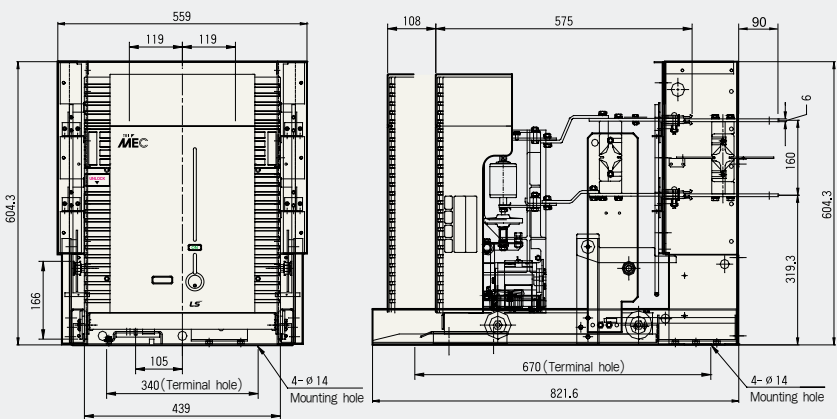
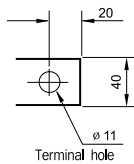


## Drawout type

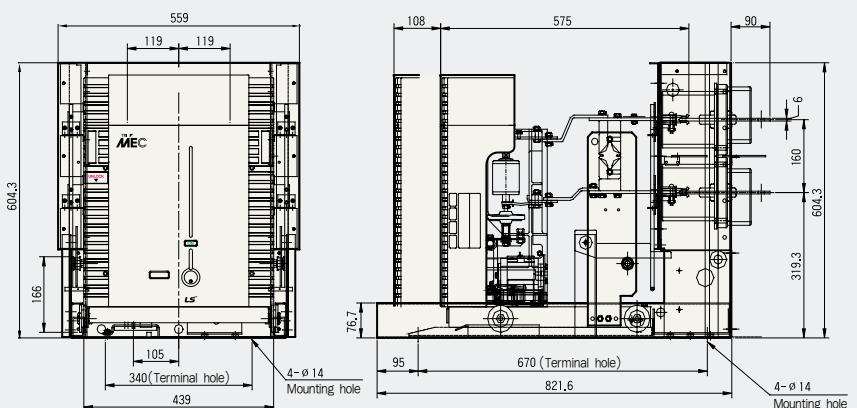
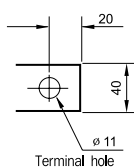
### E-Class Cradle



### F<sub>2</sub>-Class Cradle



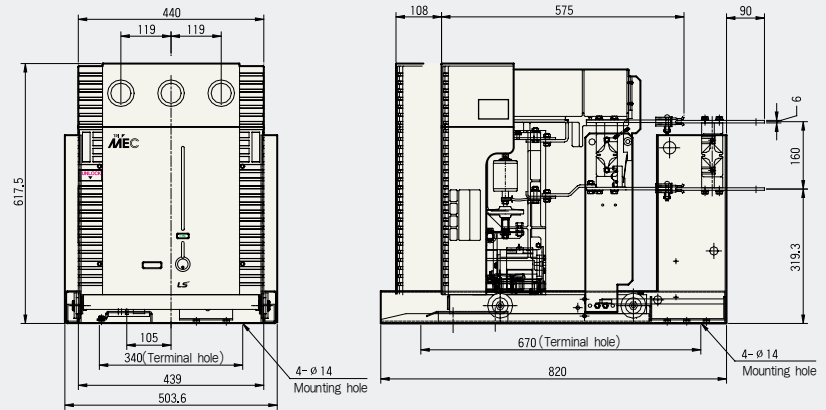
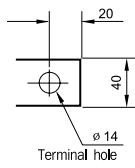
### G-Class Cradle



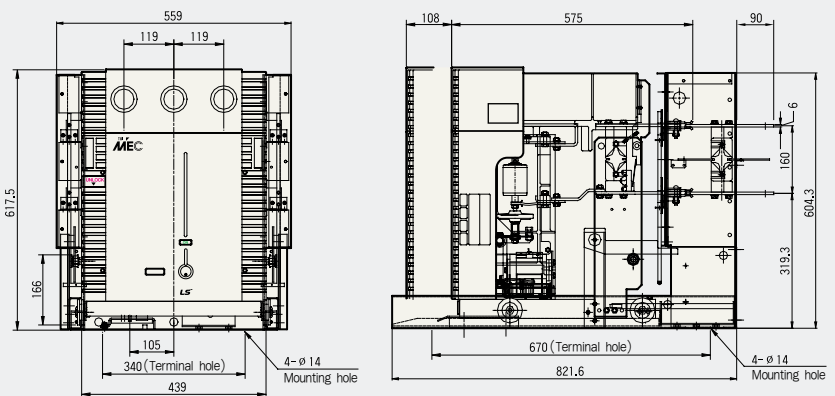
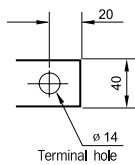
# External dimensions

## Combination drawout type (Fused combination) E-Class Cradle

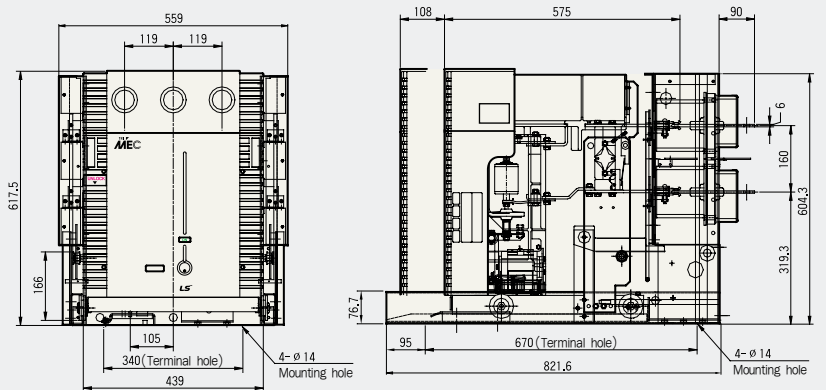
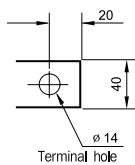
(Unit : mm)



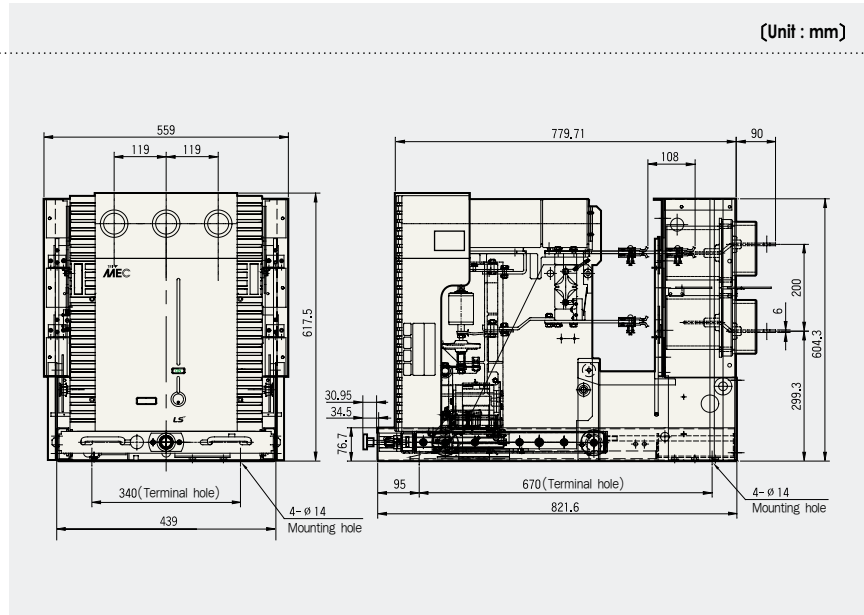
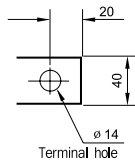
## F<sub>2</sub>-Class Cradle



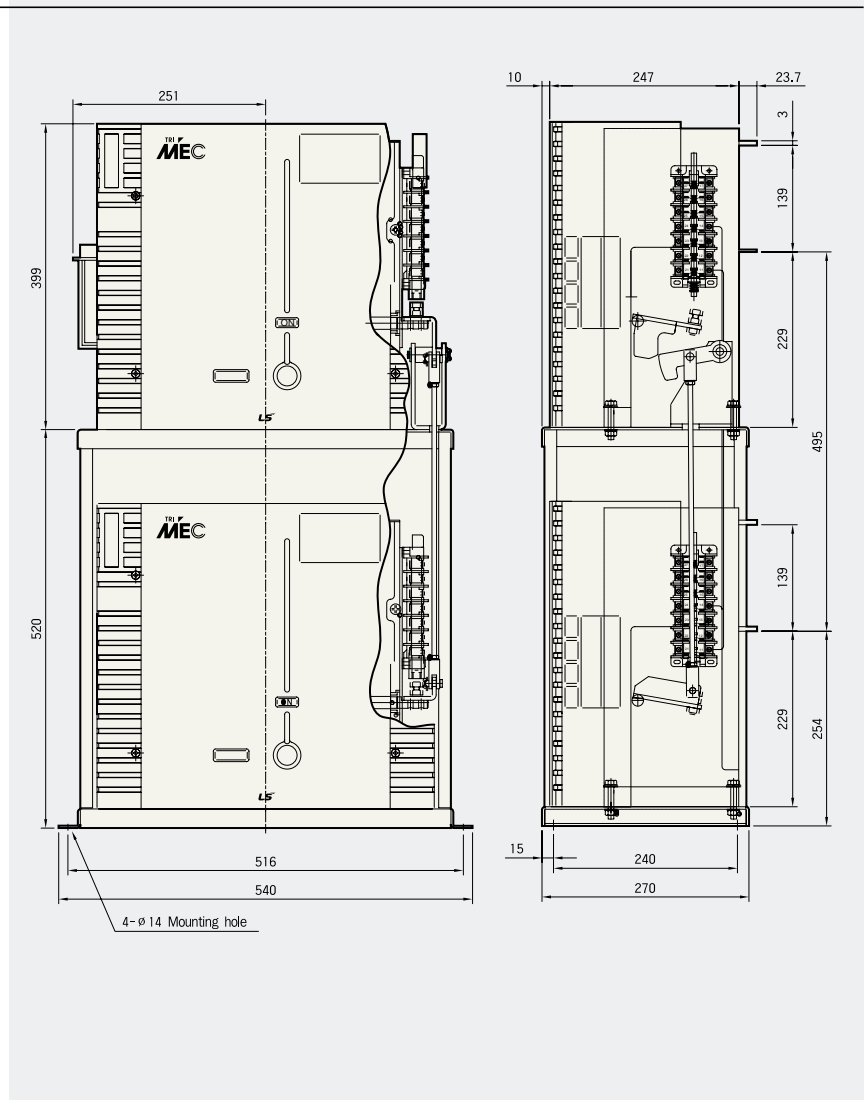
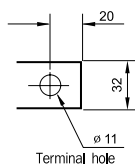
## G-Class Cradle



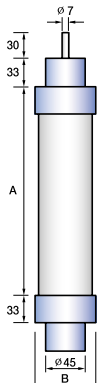
**Direct-drawout type**  
**(For MCSG)**  
**B-Class Cradle**

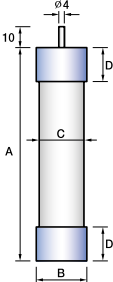
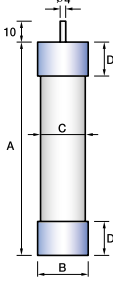


**Mechanical Interlock type**



# Selection tables

| DIN type   | Application<br>Model |           | Fuse link               |                      |                                    |                                    | Fuse selection by load  |                         |                      |
|--|----------------------|-----------|-------------------------|----------------------|------------------------------------|------------------------------------|-------------------------|-------------------------|----------------------|
|  |                      |           | Rated voltage<br>(kV)   | Rated current<br>(A) | Rated interrupting current<br>(kA) | Lowest interrupting current<br>(A) | Transformer load(kVA)   |                         | Capacitive load(kVA) |
|  |                      |           |                         |                      |                                    |                                    | Single phase            | Three phase             | Three phase          |
|  | LFL - 3/6G - 5B      | 3.6 (7.2) | 5                       | 40                   | 4In                                | 4 ~ 8 * ( 8 ~ 16 )                 | 6.7 ~ 14 * ( 13 ~ 28 )  | 9.8up to * ( 9.8up to ) |                      |
|  | LFL - 3/6G - 10B     | 10        | 6 ~ 13 ( 13 ~ 25 )      |                      |                                    | 11 ~ 22 ( 21 ~ 44 )                | 9.8 ~ 12 ( 19 ~ 24 )    |                         |                      |
|  | LFL - 3/6G - 20B     | 20        | 15 ~ 31 ( 30 ~ 62 )     |                      |                                    | 25 ~ 53 ( 51 ~ 107 )               | 12 ~ 31 ( 24 ~ 61 )     |                         |                      |
|  | LFL - 3/6G - 30B     | 30        | 21 ~ 42 ( 40 ~ 84 )     |                      |                                    | 35 ~ 73 ( 70 ~ 145 )               | 31 ~ 46 ( 61 ~ 92 )     |                         |                      |
|  | LFL - 3/6G - 40B     | 40        | 40 ~ 82 ( 80 ~ 165 )    |                      |                                    | 69 ~ 143 ( 137 ~ 286 )             | 46 ~ 64 ( 92 ~ 128 )    |                         |                      |
|  | LFL - 3/6G - 50B     | 50        | 49 ~ 102 ( 98 ~ 204 )   |                      |                                    | 85 ~ 117 ( 170 ~ 354 )             | 64 ~ 81 ( 128 ~ 163 )   |                         |                      |
|  | LFL - 3/6G - 60B     | 63        | 66 ~ 137 ( 132 ~ 275 )  |                      |                                    | 114 ~ 238 ( 229 ~ 476 )            | 181 ~ 105 ( 163 ~ 210 ) |                         |                      |
|  | LFL - 3/6G - 75B     | 75        | 68 ~ 165 ( 134 ~ 330 )  |                      |                                    | 117 ~ 285 ( 233 ~ 571 )            | 105 ~ 150 ( 210 ~ 300 ) |                         |                      |
|  | LFL - 3/6G - 100B    | 100       | 128 ~ 220 ( 256 ~ 440 ) |                      |                                    | 222 ~ 381 ( 443 ~ 762 )            | 150 ~ 222 ( 300 ~ 445 ) |                         |                      |
|  | LFL - 3/6G - 125B    | 125       | 151 ~ 275 ( 302 ~ 550 ) |                      |                                    | 261 ~ 476 ( 522 ~ 952 )            | 222 ~ 275 ( 445 ~ 550 ) |                         |                      |
|  | LFL - 3G - 160B      | 3.6       | 160                     |                      |                                    | 211 ~ 352 ( - )                    | 365 ~ 610 ( - )         | 275 ~ 370 ( - )         |                      |
|  | LFL - 3G - 200B      | 200       | 265 ~ 440 ( - )         |                      |                                    | 495 ~ 762 ( - )                    | 370 ~ 550 ( - )         |                         |                      |
|  | LFL - 6G - 160B      | 7.2       | 160                     |                      |                                    | - ( 425 ~ 704 )                    | - ( 735 ~ 1,220 )       | - ( 550 ~ 742 )         |                      |
|  | LFL - 6G - 200B      | 200       | - ( 437 ~ 880 )         |                      |                                    | - * ( 755 ~ 1,520 )                | - ( 742 ~ 1,000 )       |                         |                      |
|  | LFL - 20G - 5B       | 24        | 5                       |                      |                                    | 20 ~ 43                            | 36 ~ 75                 | 46up to                 |                      |
|  | LFL - 20G - 10B      |           | 10                      |                      |                                    | 43 ~ 90                            | 75 ~ 157                | 46 ~ 83                 |                      |
|  | LFL - 20G - 20B      |           | 20                      |                      |                                    | 99 ~ 206                           | 172 ~ 358               | 83 ~ 203                |                      |
|  | LFL - 20G - 30B      |           | 30                      |                      |                                    | 149 ~ 310                          | 258 ~ 538               | 203 ~ 317               |                      |
|  | LFL - 20G - 40B      |           | 40                      |                      |                                    | 267 ~ 557                          | 464 ~ 965               | 317 ~ 425               |                      |
|  | LFL - 20G - 50B      |           | 50                      |                      |                                    | 345 ~ 719                          | 598 ~ 1,246             | 425 ~ 564               |                      |
|  | LFL - 20G - 60B      |           | 60                      |                      |                                    | 430 ~ 897                          | 745 ~ 1,554             | 564 ~ 710               |                      |
|  | LFL - 20G - 75C      |           | 75                      |                      |                                    | 580 ~ 1,145                        | 1,000 ~ 1,983           | 710 ~ 1,021             |                      |
|  | LFL - 20G - 100C     |           | 100                     |                      |                                    | 923 ~ 1,527                        | 1,600 ~ 2,645           | 1,021 ~ 1,655           |                      |
|  | LFL - 20G - 125B     |           | 125                     |                      |                                    | 1,364 ~ 1,908                      | 2,362 ~ 3,304           | 1,655 ~ 2,370           |                      |
| LFL - 20G - 160B   | 160                  |           | 2,125 ~ 2,443           | 3,680 ~ 4,232        | 2,370 ~ 3,170                      |                                    |                         |                         |                      |
| LFL - 20G - 200B   | 200                  |           | 2,650 ~ 3,050           | 4,593 ~ 5,287        | 3,170 ~ 4,000                      |                                    |                         |                         |                      |

| KS type   | Application<br>Model   |               | Fuse link             |                      |                                    |                                    | Fuse selection by load |                |                      |
|---|--|---------------|-----------------------|----------------------|------------------------------------|------------------------------------|------------------------|----------------|----------------------|
|   |  |               | Rated voltage<br>(kV) | Rated current<br>(A) | Rated interrupting current<br>(kA) | Lowest interrupting current<br>(A) | Transformer load(kVA)  |                | Capacitive load(kVA) |
|   |  |               |                       |                      |                                    |                                    | Single phase           | Three phase    | Three phase          |
| <b>G(General use) type</b><br> | LFL - 3/6G - 5   | 3.6 (7.2)     | 5                     | 40                   | 5In                                | - * ( 5up to )                     | 5up to * ( 15up to )   | - * ( - )      |                      |
|   | LFL - 3/6G - 10  | 10            | 10up to ( 15up to )   |                      |                                    | 15up to ( 30up to )                | 10up to ( 25up to )    |                |                      |
|   | LFL - 3/6G - 20  | 20            | 20up to ( 50up to )   |                      |                                    | 30up to ( 75up to )                | 30up to ( 50up to )    |                |                      |
|   | LFL - 3/6G - 30  | 30            | 30up to ( 75up to )   |                      |                                    | 75up to ( 150up to )               | 50up to ( 100up to )   |                |                      |
|   | LFL - 3/6G - 40  | 40            | 50up to ( 100up to )  |                      |                                    | 100up to ( 200up to )              | 75up to ( 150up to )   |                |                      |
|   | LFL - 3/6G - 50  | 50            | 75up to ( 150up to )  |                      |                                    | 150up to ( 300up to )              | 100up to ( 200up to )  |                |                      |
|   | LFL - 3/6G - 60  | 63            | - ( - )               |                      |                                    | - ( - )                            | - ( - )                |                |                      |
|   | LFL - 3/6G - 75  | 75            | 150up to ( 200up to ) |                      |                                    | 200up to ( 400up to )              | 200up to ( 400up to )  |                |                      |
|   | LFL - 3/6G - 100   | 100           | 200up to ( 400up to ) |                      |                                    | 375up to ( 750up to )              | 300up to ( 600up to )  |                |                      |
|   | LFL - 3G - 150   | 3.6           | 150                   |                      |                                    | 300up to ( - )                     | 500up to ( - )         | 400up to ( - ) |                      |
|   | LFL - 3G - 200   | 200           | 400up to ( - )        |                      |                                    | 750up to ( - )                     | 600up to ( - )         |                |                      |
|   | LFL - 3G - 300   | 300           | 625up to ( - )        |                      |                                    | 1,000up to ( - )                   | 1,000up to ( - )       |                |                      |
|   | LFL - 3G - 400   | 400           | 750up to ( - )        |                      |                                    | 1,500up to ( - )                   | - ( - )                |                |                      |
|   | LFL - 6G - 150   | 7.2           | 150                   |                      |                                    | - ( 500up to )                     | - ( 1,000up to )       | - ( 800up to ) |                      |
|   | LFL - 6G - 200   | 200           | - ( 750up to )        |                      |                                    | - ( 1,500up to )                   | - ( 1,200up to )       |                |                      |
|   | LFL - 6G - 300   | 300           | - ( 1,250up to )      |                      |                                    | - ( 2,000up to )                   | - ( - )                |                |                      |
|   | LFL - 6G - 400   | 400           | - ( - )               |                      |                                    | - ( 2,500up to )                   | - ( - )                |                |                      |
|   | <b>M(Motor protection) type</b><br> | LFL - 3M - 20 | 3.6                   |                      |                                    | 20                                 | 40                     | 7In            | -                    |
| LFL - 3M - 50   |  | 50            | -                     | -                    | 150up to ( - )                     |                                    |                        |                |                      |
| LFL - 3M - 100  |  | 100           | -                     | -                    | 300up to ( - )                     |                                    |                        |                |                      |
| LFL - 3M - 150  |  | 150           | -                     | -                    | 400up to ( - )                     |                                    |                        |                |                      |
| LFL - 3M - 200  |  | 200           | -                     | -                    | 800up to ( - )                     |                                    |                        |                |                      |
| LFL - 3M - 300  |  | 300           | -                     | -                    | 1,000up to ( - )                   |                                    |                        |                |                      |
| LFL - 3M - 400  |  | 400           | -                     | -                    | - ( - )                            |                                    |                        |                |                      |
| LFL - 6M - 20   |  | 7.2           | 20                    | -                    | -                                  | ( 100up to )                       |                        |                |                      |
| LFL - 6M - 50   |  | 50            | -                     | -                    | -                                  | ( 300up to )                       |                        |                |                      |
| LFL - 6M - 100  |  | 100           | -                     | -                    | -                                  | ( 600up to )                       |                        |                |                      |
| LFL - 6M - 150  |  | 150           | -                     | -                    | -                                  | ( 800up to )                       |                        |                |                      |
| LFL - 6M - 200  |  | 200           | -                     | -                    | -                                  | ( - )                              |                        |                |                      |
| LFL - 6M - 300  |  | 300           | -                     | -                    | -                                  | ( - )                              |                        |                |                      |
| LFL - 6M - 400  |  | 400           | -                     | -                    | -                                  | ( - )                              |                        |                |                      |

| Fuse selection by load   | Dimensions(mm) |    |   |   | Applicable holder |             |
|--------------------------|----------------|----|---|---|-------------------|-------------|
| Motor load(kVA)          | A              | B  | C | D |                   |             |
| Three phase              |                |    |   |   |                   |             |
| 6.5 ~ 10.7 * ( 13 ~ 22 ) | 195            | 55 | - | - | LFH-6G-D1HB       |             |
| 10.7 ~ 28 ( 22 ~ 36 )    |                |    |   |   |                   |             |
| 28 ~ 57 ( 36 ~ 86 )      |                |    |   |   |                   |             |
| 50 ~ 85 ( 86 ~ 117 )     |                |    |   |   |                   |             |
| 85 ~ 115 ( 117 ~ 230 )   |                |    |   |   |                   |             |
| 115 ~ 142 ( 230 ~ 284 )  | 192            | 77 | - | - |                   |             |
| 138 ~ 191 ( 276 ~ 382 )  |                |    |   |   |                   |             |
| 181 ~ 252 ( 362 ~ 503 )  |                |    |   |   |                   |             |
| 253 ~ 369 ( 469 ~ 739 )  |                |    |   |   |                   |             |
| 293 ~ 435 ( 556 ~ 870 )  | 292            | 77 | - | - |                   | LFH-6G-D2HB |
| 343 ~ 572 ( - )          |                |    |   |   |                   |             |
| 375 ~ 630 ( - )          |                |    |   |   |                   |             |
| - ( 751 ~ 1,223 )        |                |    |   |   |                   |             |
| - ( 1,154 ~ 1,760 )      |                |    |   |   |                   |             |
| -                        | 442            | 55 | - | - | LFH-20G-D2HB      |             |
| -                        |                |    |   |   |                   |             |
| -                        |                |    |   |   |                   |             |
| -                        |                |    |   |   |                   |             |
| -                        |                |    |   |   |                   |             |
| -                        | 442            | 77 | - | - |                   |             |
| -                        |                |    |   |   |                   |             |
| -                        |                |    |   |   |                   |             |
| -                        |                |    |   |   |                   |             |
| -                        |                |    |   |   |                   |             |
| -                        | 442            | 87 | - | - |                   |             |
| -                        |                |    |   |   |                   |             |
| -                        |                |    |   |   |                   |             |
| -                        |                |    |   |   |                   |             |
| -                        |                |    |   |   |                   |             |

| Fuse selection by load | Dimensions(mm) |     |     |    | Applicable holder |
|------------------------|----------------|-----|-----|----|-------------------|
| Motor load(kW)         | A              | B   | C   | D  |                   |
| Three phase            |                |     |     |    |                   |
| -                      | 261            | 50  | 47  | 25 | LFH-6G-D60        |
| -                      |                |     |     |    |                   |
| -                      |                |     |     |    |                   |
| -                      |                |     |     |    |                   |
| -                      |                |     |     |    |                   |
| -                      | 311            | 60  | 57  | 30 |                   |
| -                      |                |     |     |    |                   |
| -                      |                |     |     |    |                   |
| -                      |                |     |     |    |                   |
| -                      |                |     |     |    |                   |
| -                      | 311            | 77  | 73  | 43 | LFH-6G-D2H        |
| -                      |                |     |     |    |                   |
| -                      |                |     |     |    |                   |
| -                      |                |     |     |    |                   |
| -                      |                |     |     |    |                   |
| -                      | 350            | 110 | 108 | 55 |                   |
| -                      |                |     |     |    |                   |
| -                      |                |     |     |    |                   |
| -                      |                |     |     |    |                   |
| -                      |                |     |     |    |                   |
| 37 ~ 75 * ( - )        | 200            | 60  | 58  | 30 | LFH-3M-100        |
| 90 ~ 200 ( - )         |                |     |     |    |                   |
| 220 ~ 400 ( - )        |                |     |     |    |                   |
| 450 ~ 630 ( - )        |                |     |     |    |                   |
| 710 ~ 800 ( - )        |                |     |     |    |                   |
| 900 ~ 1250 ( - )       | 200            | 77  | 73  | 43 |                   |
| 1,500 ( - )            |                |     |     |    |                   |
| - ( 75 ~ 160 )         |                |     |     |    |                   |
| - ( 185 ~ 400 )        |                |     |     |    |                   |
| - ( 450 ~ 800 )        |                |     |     |    |                   |
| - ( 900 ~ 1,250 )      | 250            | 87  | 84  | 50 | LFH-3M-400        |
| - ( 1,500 )            |                |     |     |    |                   |
| - ( 2,500 )            |                |     |     |    |                   |
| - ( 3,000 )            |                |     |     |    |                   |
| -                      |                |     |     |    |                   |
| -                      | 311            | 60  | 58  | 30 |                   |
| -                      |                |     |     |    |                   |
| -                      |                |     |     |    |                   |
| -                      |                |     |     |    |                   |
| -                      |                |     |     |    |                   |
| -                      | 350            | 77  | 73  | 43 | LFH-6M-200        |
| -                      |                |     |     |    |                   |
| -                      |                |     |     |    |                   |
| -                      |                |     |     |    |                   |
| -                      |                |     |     |    |                   |
| -                      | 450            | 87  | 84  | 50 |                   |
| -                      |                |     |     |    |                   |
| -                      |                |     |     |    |                   |
| -                      |                |     |     |    |                   |
| -                      |                |     |     |    |                   |

## Selecting conditions and warning

- \* The values in ( ) apply to the loads of 7.2kV.
- It is assumed that the inrush current of a transformer is 10 times of the full load current of a motor for 0.1 second.
  - The rated current of a fuse is selected to carry continuously the current of 1.5 times of rated current of a transformer. (1.3 times in the case of \*)
  - In the transformer load table it is assumed that the interruption will be made at 25 times of rated current within 2 seconds.
- It is assumed that the inrush current of a motor is 5 times of full load current for 10 seconds.
- In the case of using the M(motor protection) type fuses for the purpose of the short-circuit protection of a motor or a starter select the proper rating in addition refer to the characteristic curves on the catalog to make the device protected from overload by a circuit breaker or a contactor.
- It is assumed that the inrush current of a capacitor is 71 times of its rated current for 0.002 second.
  - The rated current of a fuse is selected to carry continuously the current of 1.43 times of rated current of a capacitor.
  - In case service life of more than 1000 operations is required select in the M( motor protection) type fuse table.
- The above mentioned comments are according to KS(Korean Industrial Standard) and subject to the real situation.



DIN-Type fuse

# Power fuse

## Power fuse

LS Prime-MEC power fuses are designed to protect equipments from fault current such as short-circuit, and generally used for the protection the circuits of transformers, capacitors and motors they protect.

For further safety and reliability the elements inside of fuses are made of silver, and high quality quartzs and and ceramic are used for magnetic rods and tubes, respectively.

LS medium voltage vacuum contactors using LS vacuum interrupters manufactured with worldclass technology are type tested in LS PT & T that is accredited high power test lab by worldclass KOLAS. To ensure the performance they, installed in a vacuum contactor, are tested according to IEC 60282-1 in LS PT & T that is accredited high power test lab by worldclass KOLAS.

## Considerations in application

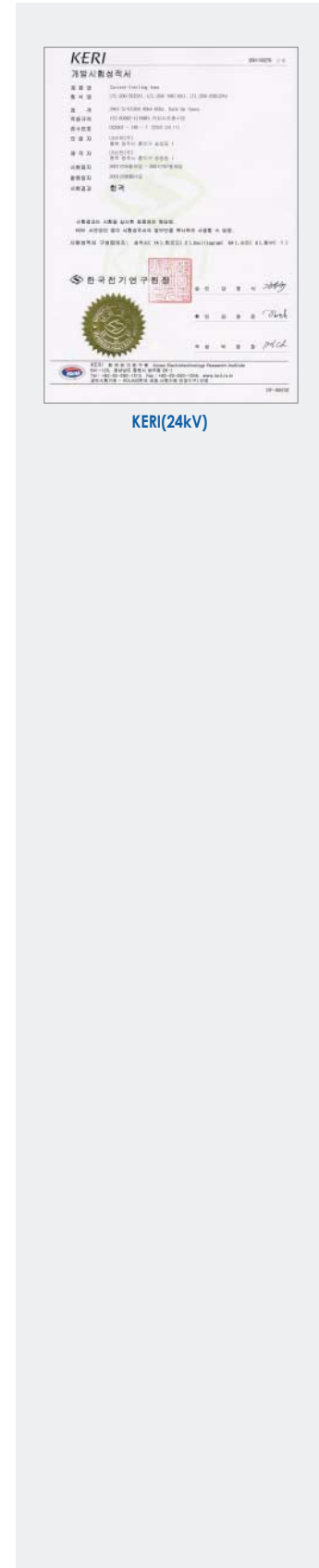
- Power fuses are suitable for the protection from a short-circuit, Overload current will not protected.
- Reset or re-use after blowing is not possible. Fuse reset or re-use is not possible after fused are blown out.
- When the fuses are selected, the inrush currents arising from the starting transformers, motors, capacitors should be considered.
- When the fuses are selected, their usage and circuit requirements should be considered.
- For the purpose of protection from the fault current below the lowest interrupting current of the fuse it is desirable to replace it with a fuse having lower interrupting rate or add other overcurrent relay in series
- Withstand voltage of the circuit should be higher than that of a fuse that protects it.
- If possible, select the fuse whose rated current is much higher than the load current. The rated current not sufficiently exceeding the normal current of the load may cause reduction in the service life.
- Replace all three fuses in case of blowing in a fuse.

## Determination of the rated current

The rated current of the fuse must be selected properly after examination of the current/time characteristics of fuses, equipments and the related circuit conditions.

## General considerations

- When the fuses are selected the sufficient rated current should be considered to avoid the deterioration of the fuse element due to sustained load current in the long term.
- The fuse rated current should be higher than the sum of all load currents.
- The estimated overload current should be within the fuse's time/current characteristics. The estimated overload current should not exceed the allowable overload withstand currents of the equipment and the number of its events should not exceed 100 times.
- The characteristic curve of a fuse must lie to the right of those of other equipments to be protected.
- The withstand strength such as permissible let-through current,  $I^2t$  of the equipments to be protected must be higher than that of a fuse.
- Coordination of permissible time limit  
Protection equipments in the line side < Fuses < Protection equipments in the load side
- Coordination when fuses are used as back-up protection  
Permissible let-through current of a fuse < That of a protection equipment
- Use the same rating for all three phases even the differential current between phases exists.



## Considerations by the type of load

### 1. Power fuses for transformer loads

- The fuse with sufficient rated current must be selected to avoid the deterioration of the fuse element due to permissible overload in the long term.
- The fuse's current/time characteristic should cover the inrush current/time of the transformer.
- In case of power transformers the symmetrical inrush current must be within 10 times of the fuse rating and the fuse should withstand at least 0.1 second under the condition.
  - Fuse rated current  $\geq$  Transformer rated current
- The lowest interrupting current of the fuse  $<$  Short circuit current in the primary of the fuse
- In case of protection of two or more transformers
  - Fuse rating should be selected on the basis of the phase condition where maximum current flows.
  - In the event of short-circuit in the secondary of the transformer  
The lowest interrupting current of the fuse  $<$  Short circuit current in the primary of the transformer
- In case of potential transformers
  - When the fuses are selected do not consider the short-circuit happening in the secondary of the PT, but protecting PT itself and the circuit against the fault in the primary side.
  - Select the fuse with higher rated current than the load current so as not to be damaged by overcurrent.
  - The characteristic curve of a fuse must lie to the right of those of other equipments to be protected.
  - The withstand strength such as permissible let-through current,  $I^2t$  of the equipments to be protected must be higher than that of a fuse.

*Note)* Refer to the general considerations other than the above mentioned.

### 2. Power fuses for motor loads

- The fuse with sufficient rated current must be selected to avoid the deterioration of the fuse element due to permissible overload in the long term.
  - The fuse's current/time characteristic should cover the inrush current/time of the motor.
    - The inrush current of the motor must be within 5 times of the fuse rating and the fuse should withstand at least 10 seconds under the condition.
  - Fuse rated current  $\geq$  Motor full load current
- Note)* Refer to the general considerations other than the above mentioned.

### 3. Power fuses for combination with vacuum contactors

- The current at the intersection between a fuse characteristic curve and a contactor operation curve should be greater than the lowest interrupting current of a fuse.
  - And the current at the cross point between a fuse curve and a contactor minimum dropout curve should not be greater than the rated interrupting current of a contactor.
- Note)* Refer to the general considerations other than the above mentioned.

### 4. Power fuses for capacitor loads

- The fuse with sufficient rated current must be selected to avoid the deterioration of the fuse element due to permissible overload in the long term.
  - The fuse's current/time characteristic should cover the inrush current/time of the capacitor.
  - The size of inrush current depends on whether or not the serial reactors and parallel capacitors exist.
  - The inrush current of the capacitor must be within 70 times of the fuse rating and the fuse should withstand at least 0.002 second under the condition.
    - Fuse rated current  $\geq$  Capacitor rated current
  - In the case of serial reactor(6%) connected the inrush current must be within 5 times of the fuse rating and the fuse should withstand at least 0.1 second under the condition
- Note)* Refer to the general considerations other than the above mentioned.



Power fuses for transformer loads

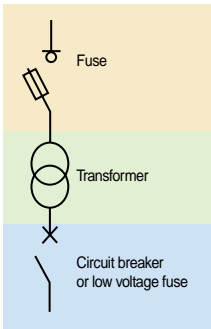


Power fuses for motor loads

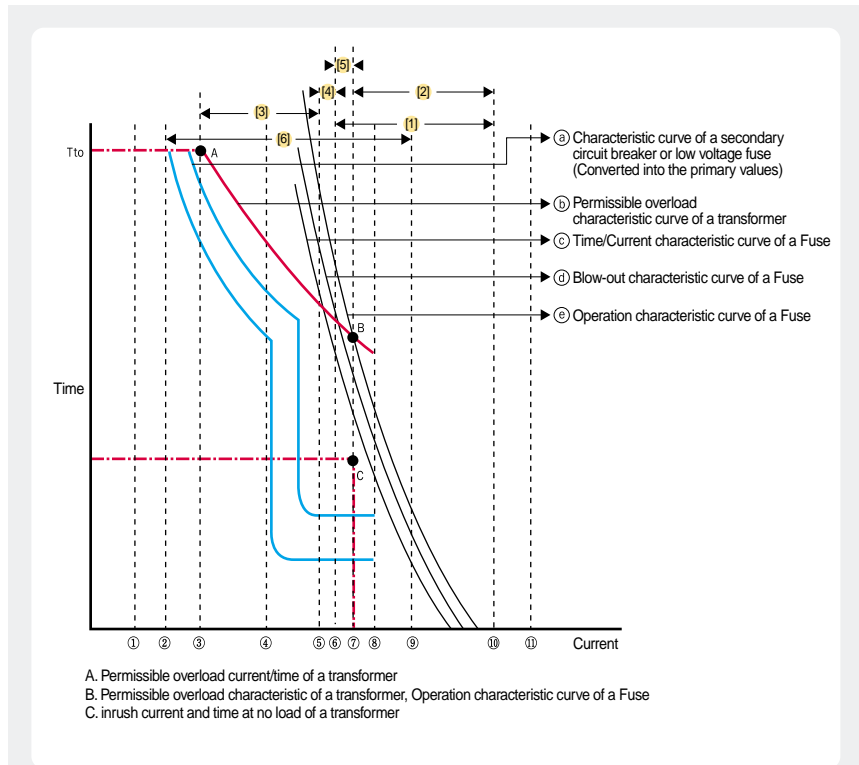
*Note)* Above picture shows korean standard type, If you want to order DIN type fuse, please contact LS Industrial Systems before you order it.

# Coordination graph

## Coordination between fuse and transformer circuit



- ① Full load current of a transformer
- ② The lowest interrupting current of the secondary circuit breaker
- ③ Permissible overload current of a transformer
- ④ Rated current of a fuse
- ⑤ Lowest blow-out current of a fuse
- ⑥ Lowest interrupting current of a fuse
- ⑦ Inrush current at no load of a transformer
- ⑧ Secondary short-circuit current
- ⑨ Rated interrupting current of a secondary circuit breaker
- ⑩ Primary short-circuit current
- ⑪ Rated interrupting current of a fuse



### ※ Coordination in the graph

- **Zone of [1]** : Protection of primary side from short-circuit by a fuse
- **Zone of [2]** : Protection of a transformer
- **Zone of [3]** : Out of the scope of fuse operation
- **Zone of [4]** : Interruption is not ensured even though the fuse blows.
- **Zone of [5]** : Protection of a transformer is not ensured even though the fuse interrupts the circuit.
- **Zone of [3]+[4]+[5]** : No protection zone of a transformer Circuit breaker or low voltage fuse required for the transformer protection

### When any protection device is not installed in the secondary of a transformer

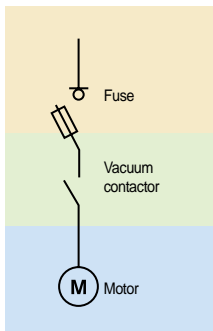
- Permissible overload current of a transformer (point ③)) must lie to the left of the curve (c)(time/current characteristic curve of a Fuse)
- Full load current of a transformer ① ≤ Rated current of a fuse ④
- Point C (inrush current and time at no load of a transformer) must lie to the left of the point (c)(time/current characteristic curve of a Fuse)
- Secondary short-circuit current ⑧ > Lowest interrupting current of a fuse ⑥
- Point B must lie to the left of the secondary short-circuit current ⑧.
- Primary short-circuit current ⑩ < Rated interrupting current of a fuse ⑪

### When a circuit breaker or fuse is installed in the secondary of a transformer

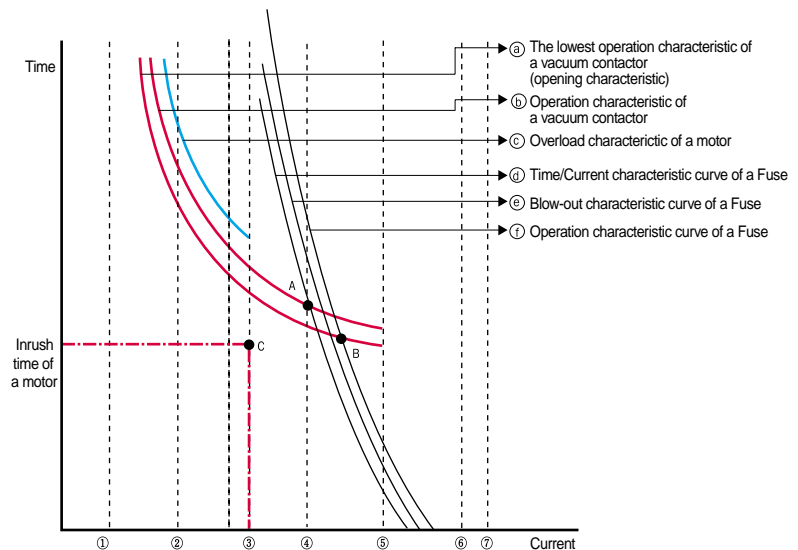
- Must meet the requirements above mentioned in ①
- The characteristic curve of a secondary circuit breaker or low voltage fuse (a) must lie to the left of permissible overload characteristic curve of a transformer (b) and under the point B
- The characteristic curve of a secondary circuit breaker or low voltage fuse (a) must lie to the Time/Current characteristic curve of a Fuse and under the Secondary short-circuit current (g).
- Secondary short-circuit current (g) < Characteristic curve of a secondary circuit breaker or low voltage fuse (a)
- The secondary circuit breaker or low voltage fuse should meet the above mentioned requirements to each branch circuit.
- Another medium voltage protection device is required for the ensured protection against the fault happening between the secondary protection devices and the internal short-circuit of a transformer in the zone of [3]+[4]+[5].



## Coordination between fuse and motor circuit



- ① Full load current of a motor
- ② Rated current of a fuse
- ③ Inrush current of a motor (Locked rotor current)
- ④ Lowest interrupting current of a fuse
- ⑤ Rated interrupting current of a vacuum contactor
- ⑥ Short-circuit current
- ⑦ Rated interrupting current of a fuse



- A : (Operation characteristic of a vacuum contactor, Time/Current characteristic curve of a Fuse)
- B : (The lowest operation characteristic of a vacuum contactor, Operation characteristic curve of a Fuse)
- C : ( Inrush current of a motor, Inrush time of a motor)

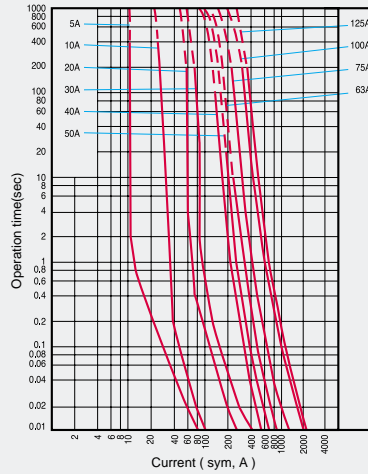
- Full load current of a motor ①  $\leq$  Rated current of a fuse ②
- Short-circuit current ⑥  $<$  Rated interrupting current of a fuse ⑦
- Inrush current of a motor (Locked rotor current) ③  $<$  Rated interrupting current of a vacuum contactor ⑤
- Point C must lie to the left of ③ (The lowest operation characteristic of a vacuum contactor) and ④ (Time/Current characteristic curve of a Fuse)
- Operation characteristic of a vacuum contactor ⑨ must lie to the left of ⑩ (Overload characteristic of a motor)
- Point A must lie to the right of ④ Lowest interrupting current of a fuse.
- Point B must lie to the left of ⑤ Rated interrupting current of a vacuum contactor.

Note) The current less than point A can be protected by a vacuum contactor, and the current greater than point B is to be protected by a fuse.

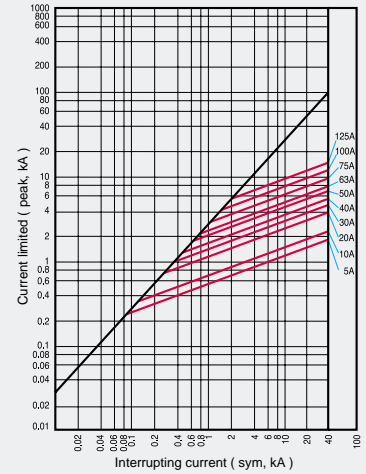
# Operation curves

## DIN Type

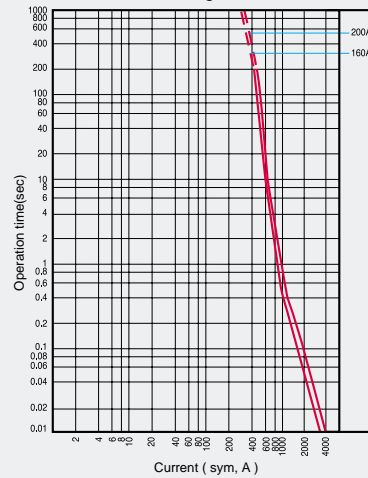
3.6/7.2kV blowing characteristic



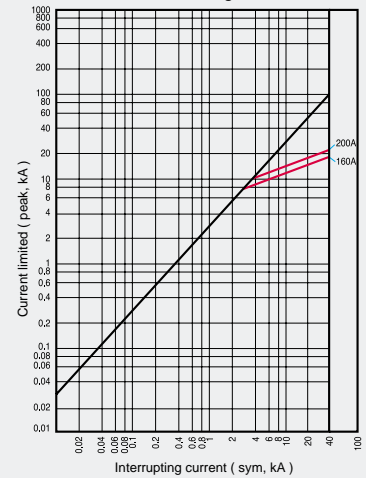
3.6/7.2kV current limiting characteristic



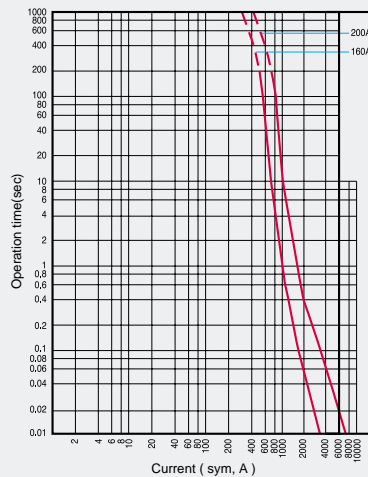
3.6kV blowing characteristic



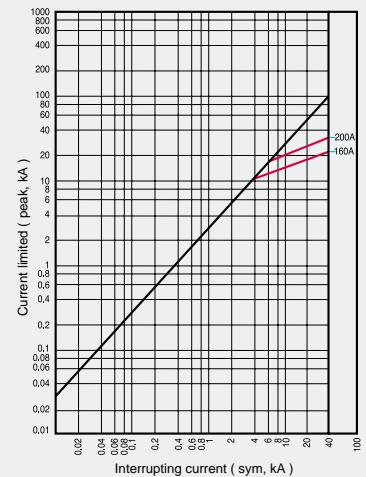
3.6kV current limiting characteristic



7.2kV blowing characteristic

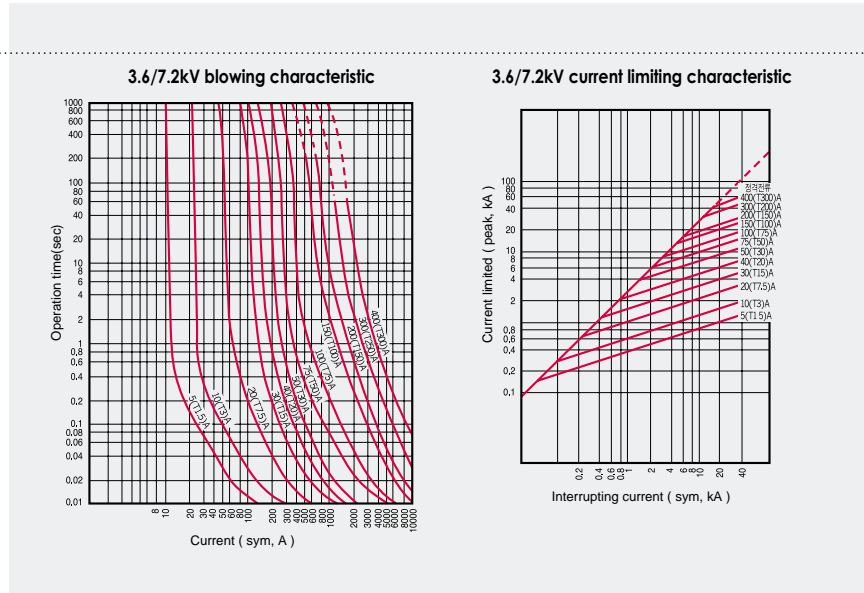


7.2kV current limiting characteristic

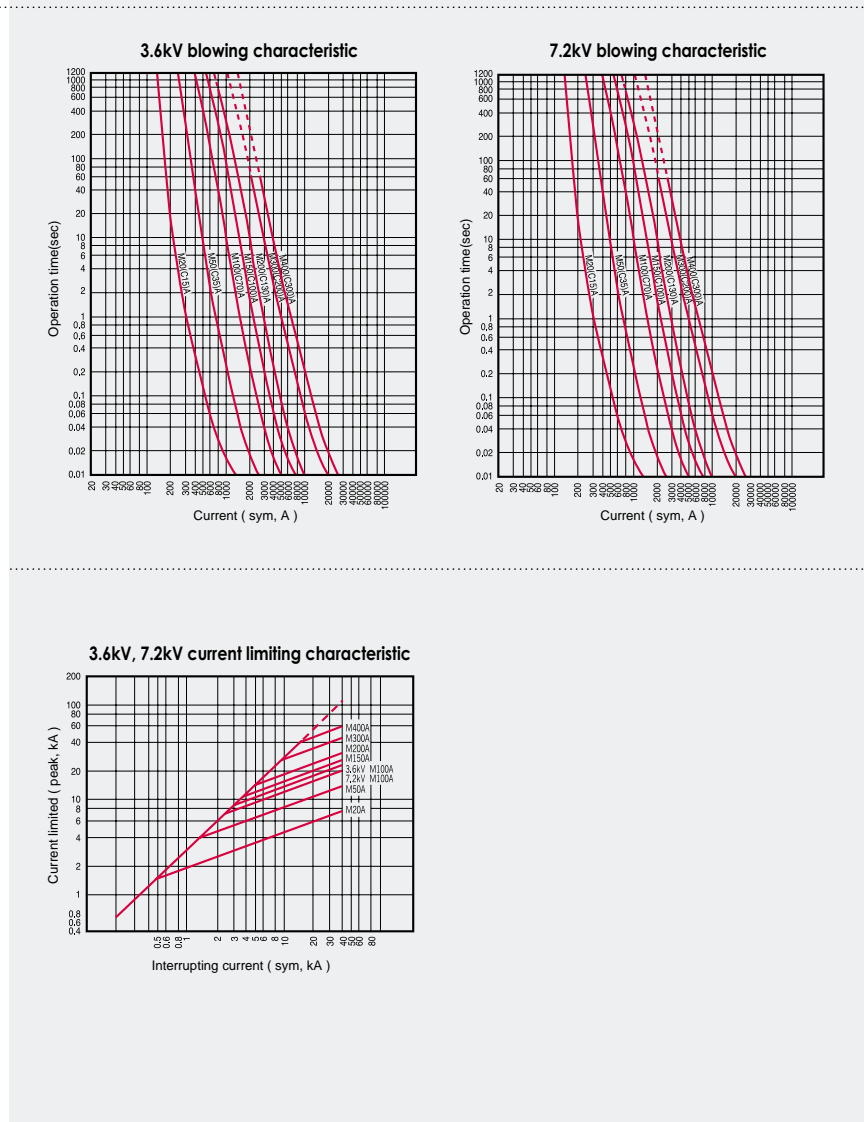


## KS Type

### G(General use) type fuse



### M(Motor protection) type fuse



## Leader in Electrics & Automation



### Safety Instructions

- For your safety, please read user's manual thoroughly before operating.
- Contact the nearest authorized service facility for examination, repair, or adjustment.
- Please contact qualified service technician when you need maintenance. Do not disassemble or repair by yourself!
- Any maintenance and inspection shall be performed by the personnel having expertise concerned.

LS Industrial Systems Co., Ltd.

[www.lsis.biz](http://www.lsis.biz)

#### ■ HEAD OFFICE

Yonsei Jaedan Severance Bldg., 84-11, Namdaemunno 5ga,  
Jung-gu, Seoul, 100-753, Korea  
Tel. (82-2)2034-4870  
Fax. (82-2)2034-4713

#### ■ CHEONG-JU PLANT

Cheong-Ju Plant #1, Song Jung Dong, Hung Duk Ku,  
Cheong Ju, 361-720, Korea

#### ■ Global Network

- **LS Industrial Systems Tokyo Office** >> Tokyo, Japan  
Address: 16F, Higashi-Kan, Akasaka Twin Towers 17-22, 2-chome, Akasaka, Minato-ku Tokyo 107-8470, Japan  
Tel: 81-3-3582-9128 Fax: 81-3-3582-0065 e-mail: dongjins@lsis.biz
- **LS Industrial Systems Dubai Rep. Office** >> Dubai, U.A.E  
Address: P.O.Box-114216, APl World Tower, 303B, Sheikh Zayed road, Dubai, UAE.  
Tel: 971-4-3328289 Fax: 971-4-3329444 e-mail: hwyim@lsis.biz
- **LS-VINA Industrial Systems Co., Ltd** >> Hanoi, Vietnam  
Address: LSIS VINA Congty che tao may dien Viet-Hung Dong Anh Hanoi, Vietnam  
Tel: 84-4-882-0222 Fax: 84-4-882-0220 e-mail: srjo@hn.vnn.vn
- **LS Industrial Systems Hanoi Office** >> Hanoi, Vietnam  
Address: Room C21, 5Th Floor, Horison Hotel, 40 Cat Linh , Hanoi, Vietnam  
Tel: 84-4-736-6270/1 Fax: 84-4-736-6269
- **Dalian LS Industrial Systems Co., Ltd.** >> Dalian, China  
Address: No. 15 Liaohexi 3 Road, Economic and Technical Development zone, Dalian, China  
Tel: 86-411-8273-7777 Fax: 86-411-8730-7560 e-mail: lixx@lgs.com.cn
- **LS Industrial Systems (Wuxi) Co., Ltd.** >> Wuxi, China  
Address: 102-A National High&New Tech Industrial Development Area, Wuxi, Jiangsu, China  
Tel: 86-510-534-6666 Fax: 86-510-522-4078 e-mail: Xuhg@lgs.com.cn
- **LS Industrial Systems International Trading (Shanghai) Co., Ltd** >> Shanghai, China  
Address: Room E-G, 12<sup>th</sup> Floor Huamin Empire Plaza, No.726, West Yan'an Road Shanghai 200050, P.R. China  
Tel: 86-21-6278-4291 Fax: 86-21-6278-4372 e-mail: xuhg@lgs.com.cn
- **LS Industrial Systems Shanghai Office** >> Shanghai, China  
Address: Room 1705-1707, 17<sup>th</sup> Floor Xinda Commercial Building, No.322, Xian Xia Road Shanghai 200336, China  
Tel: 86-21-6208-7610 Fax: 86-21-6278-4292
- **LS Industrial Systems Beijing Office** >> Beijing, China  
Address: B-Tower 17 Fl. Beijing Global Trade Center B/D. No. 36, BeisanhuanDong-Lu, DongCheong-District, Beijing 100013, P.R. China  
Tel: 86-10-6462-3254 Fax: 86-10-6462-3236 e-mail: linsz@lgs.com.cn
- **LS Industrial Systems Guangzhou Office** >> Guangzhou, China  
Address: Room 1403, 14F, New Poly Tower, 2 Zhongshan Liu Road, Guangzhou, China  
Tel: 86-20-8326-6754 Fax: 86-20-8326-6287 e-mail: zhangch@lgs.com.cn
- **LS Industrial Systems Chengdu Office** >> Chengdu, China  
Address: 12Floor, Guodong Building, No52 Jindun Road Chengdu, 610041, P.R. China  
Tel: 86-28-8612-9151 Fax: 86-28-8612-9236 e-mail: hongkonk@vip.163.com
- **LS Industrial Systems Qingdao Office** >> Qingdao, China  
Address: 7B40, Haixin Guangchang Sheny Building B, No. 9, Shangdong Road Qingdao, China  
Tel: 86-532-580-2539 Fax: 86-532-583-3793 e-mail: bellkuk@hanmail.net

Specifications in this catalog are subject to change without notice due to continuous product development and improvement.